

# Zebra ZD421 - Print head change

---

Printhead change on ZD421 Printer

## Contents

---

Removing the printhead

Replacing the Print head:

Comments

## Removing the printhead

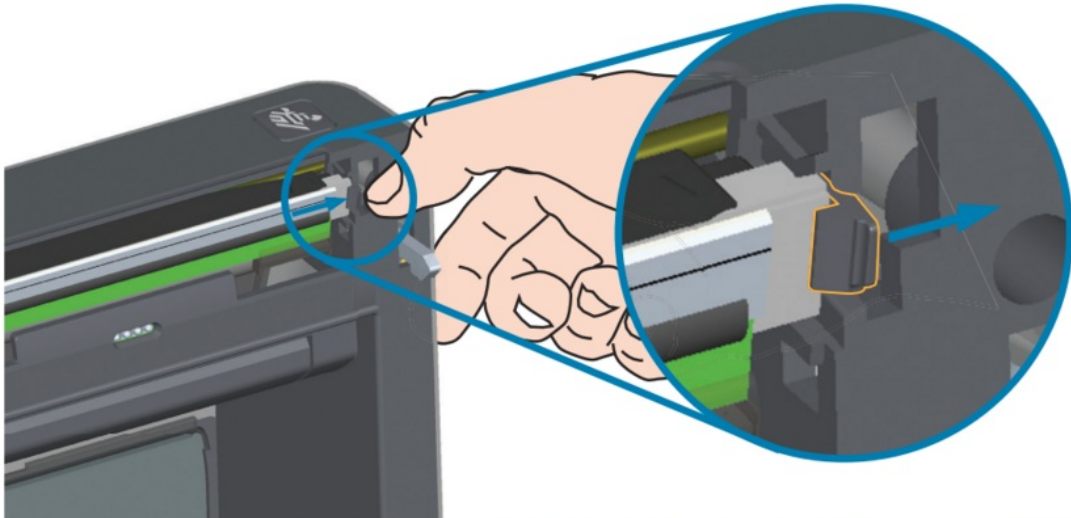
## ZD621 and ZD421 Direct Thermal

### Removing the Printhead

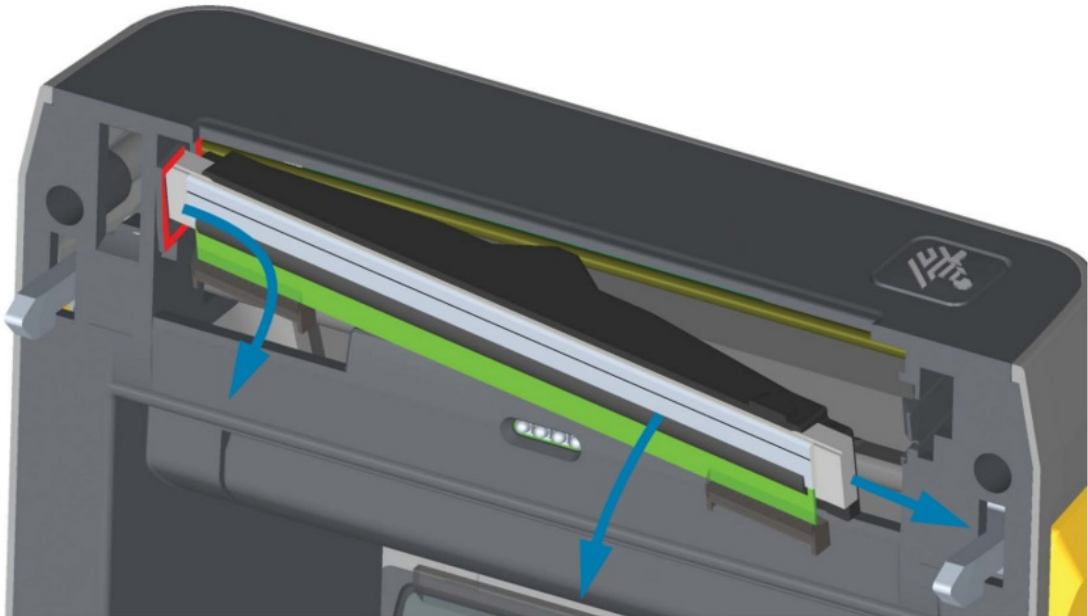
1. Turn the printer OFF. Open the printer.



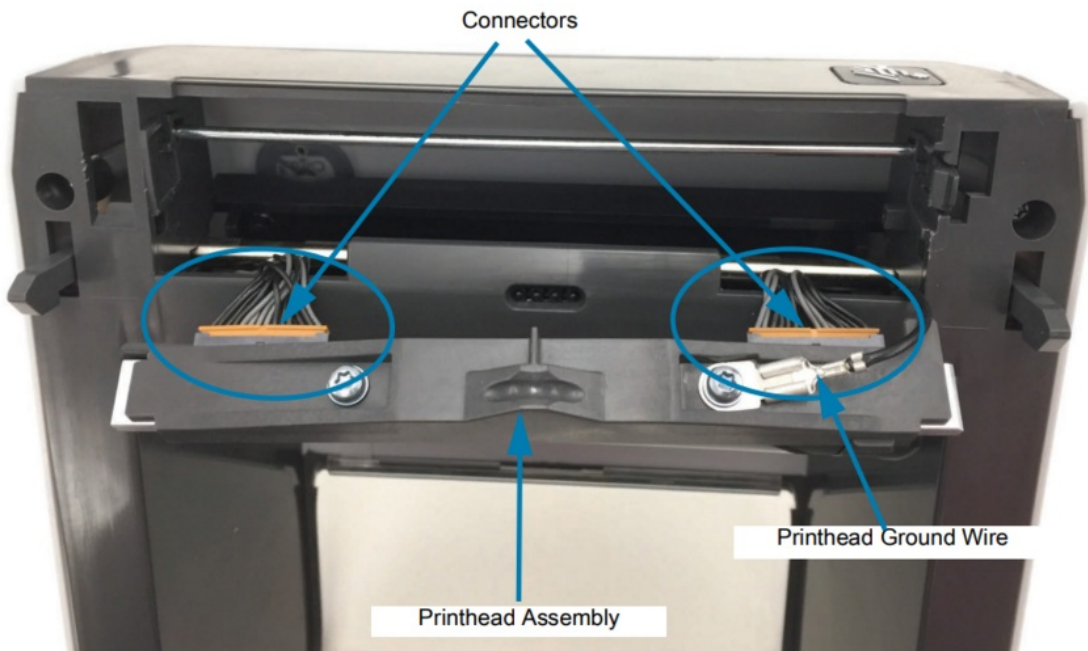
2. Push the printhead release latch away from the printhead. The right side of printhead releases.



3. Swing the loose right side of the printhead out of the printer. Pull it out and to the right a little to get the left side of the printhead clear. Pull the printhead out and free of the top cover to gain access to its attached cables on the backside of the printhead. Note, the red highlights the left side printhead retainer slot.



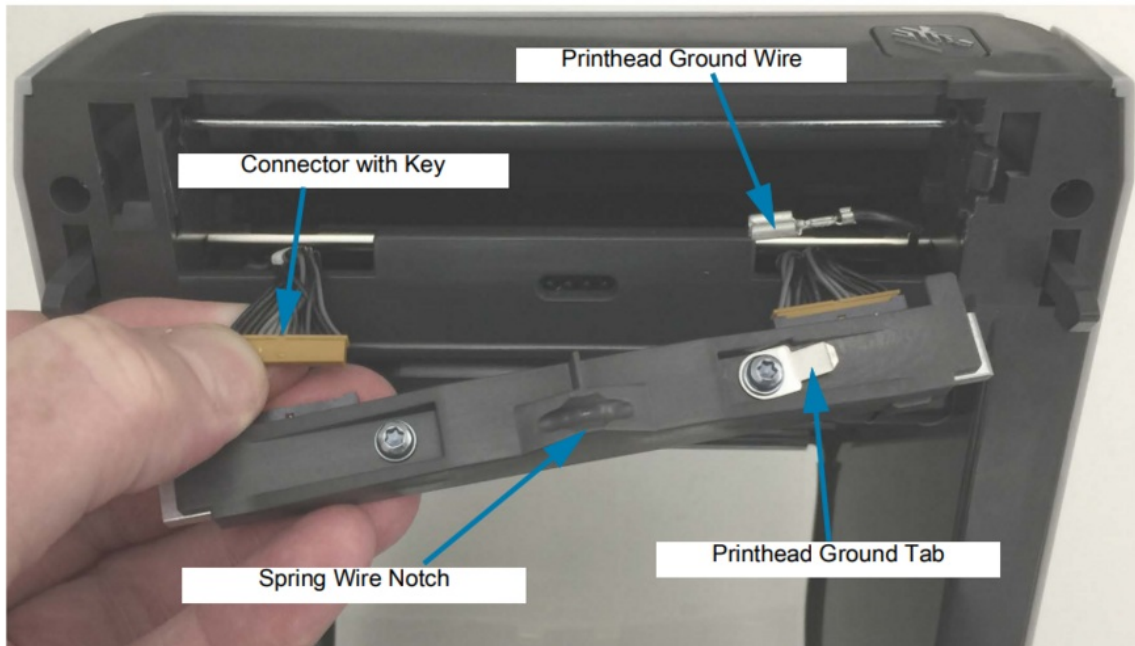
4. Gently but firmly pull the two printhead cable bundle connectors off of the printhead. Pull the ground wire off the printhead.



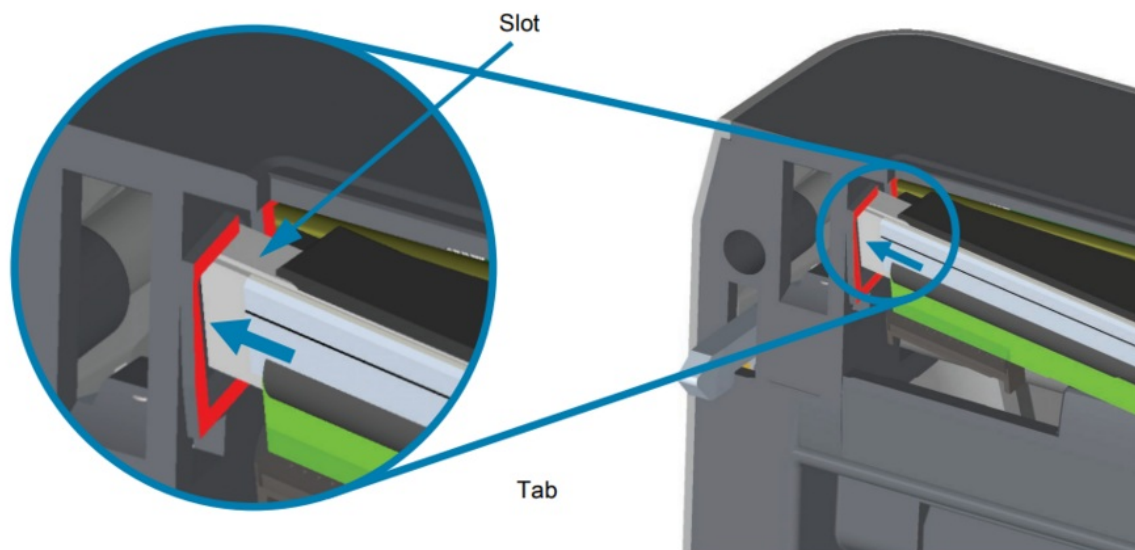
Replacing the Print head:

## Replacing the Printhead

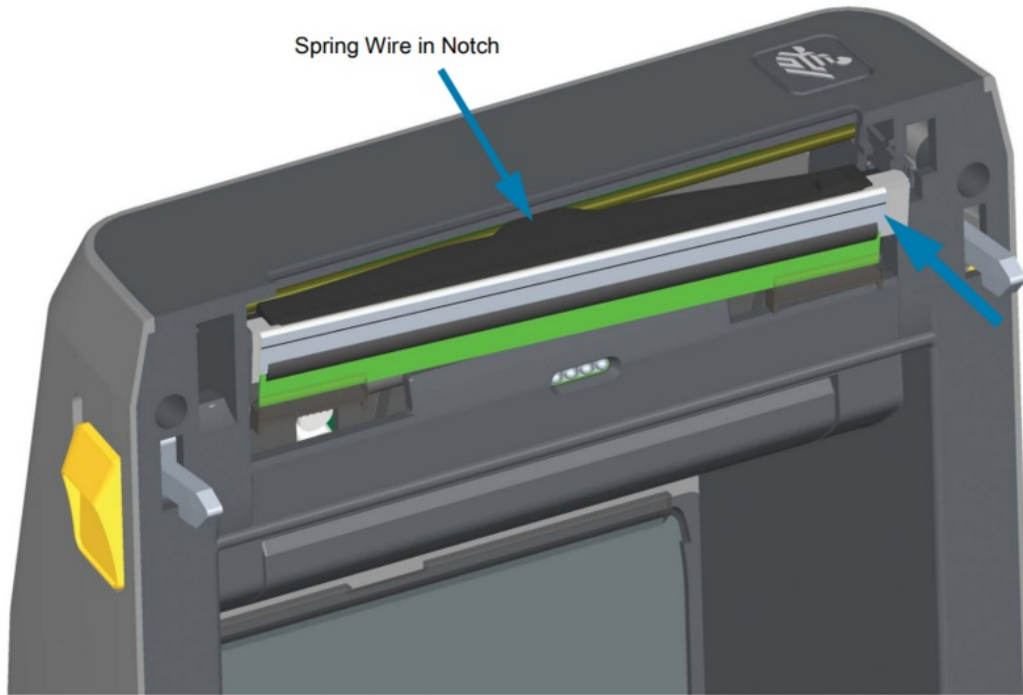
1. Push the right side printhead cable connector into the printhead. The connector is keyed to only insert one way.
2. Attach the ground wire to the printhead's ground tab.
3. Push the left side printhead cable connector onto the printhead.



4. Insert the left side of the printhead assembly into the recessed slot (highlighted in red) on the left side of the printer.



5. Align the Spring Wire Notch on the backside of the printhead to the Spring Wire. Push the right side of the printhead into the printer until the latch locks the right side of the printhead into the printer.



6. Verify that the printhead moves up and down freely when pressure is applied and remains locked when released.

