



ZX3 Counterweight Installation

Installation of counterweight on ZX3 ring

 Difficulty Easy

 Duration 60 minute(s)

Contents

Introduction

Step 1 - Remove the large infill plate at the 180 degree position

Step 2 - Install the mounting plate

Step 3 - Install the 3 weight plates

Step 4 - Install the triangular sheet metal plate

Step 5 - Finished result

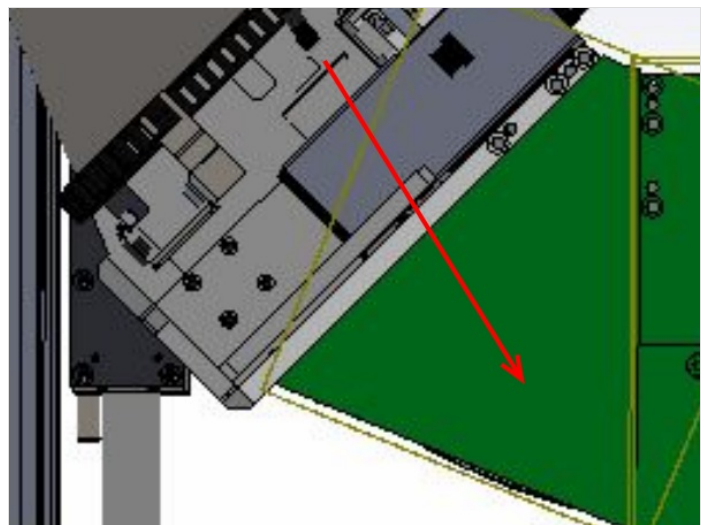
Comments

Introduction

This guide explains how to install the counterweight assembly on the current ZX3 ring

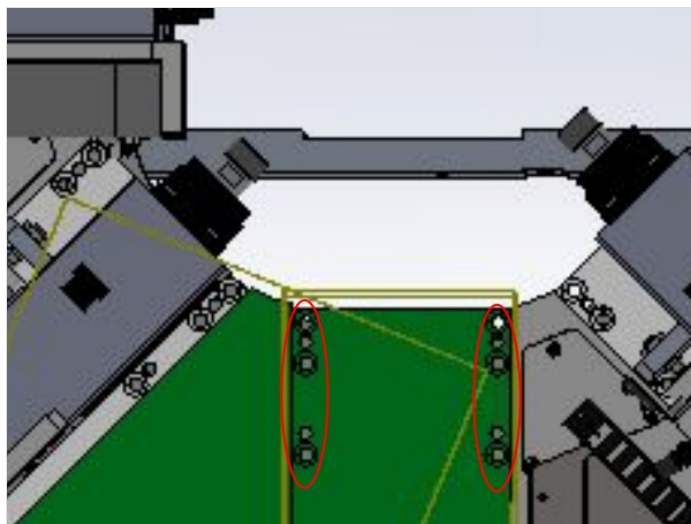
Step 1 - Remove the large infill plate at the 180 degree position

The machine has been sent with an infill plate that needs to be replaced with a counterbalance spindle and smaller infill plate



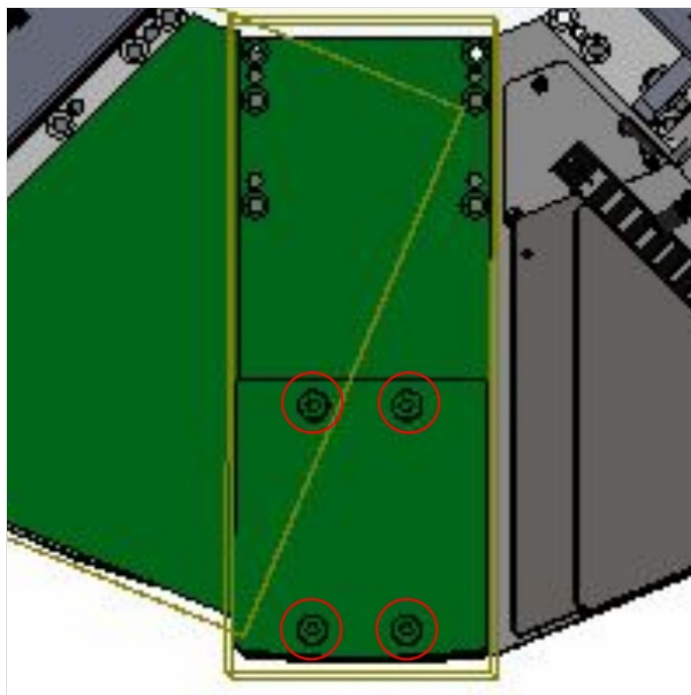
Step 2 - Install the mounting plate

Install the mounting plate using the standard mounting holes.



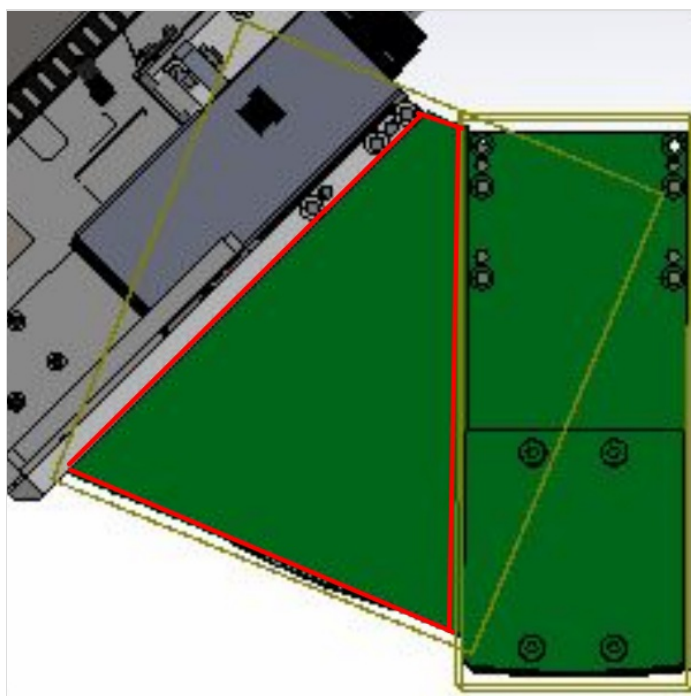
Step 3 - Install the 3 weight plates

Fit all 3 weight plates, and secure with the provided bolts and washers



Step 4 - Install the triangular sheet metal plate

Fit the triangular plate



Step 5 - Finished result

