

TB0412 MH Spindle Collet Shaft Replacement

We have been unable to get Spindle Collet Shafts manufactured to our existing drawing.

Contents

Solution
Part Codes
Comments

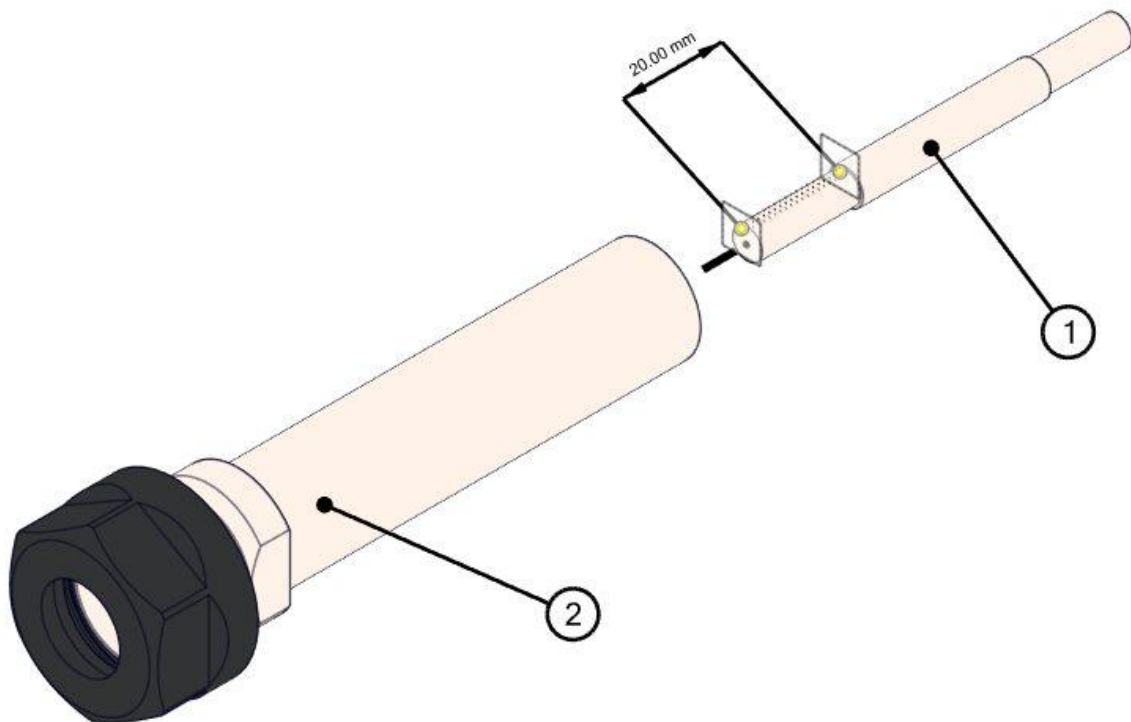
Solution

A replacement has been found but the shaft requires modifying to suit the existing assembly.

The replacement kit comprises of a new spindle and Collet Shaft Adaptor.

The 20mm long threaded end of the adaptor must be fixed into the spindle with Loctite.

The assembled shaft is then fitted as normal.



Item	PartNo	Description	Qty
1	D0010970	Collet Shaft Adapter	1
2	D0006011B	Multihead Spindle + Nut	1

Part Codes

D0006011B	Multihead Spindle + Nut	1
D0010970	Collet Shaft Adaptor	1