

Stuertz Infeed - Reinforcing Forward Clamp Energy Chain System

Instructions on reinforcing the energy chain on Stuertz infeed table forward clamp system

Contents

Problem

Solution

Redesign of Main Energy Chain Tray Holder

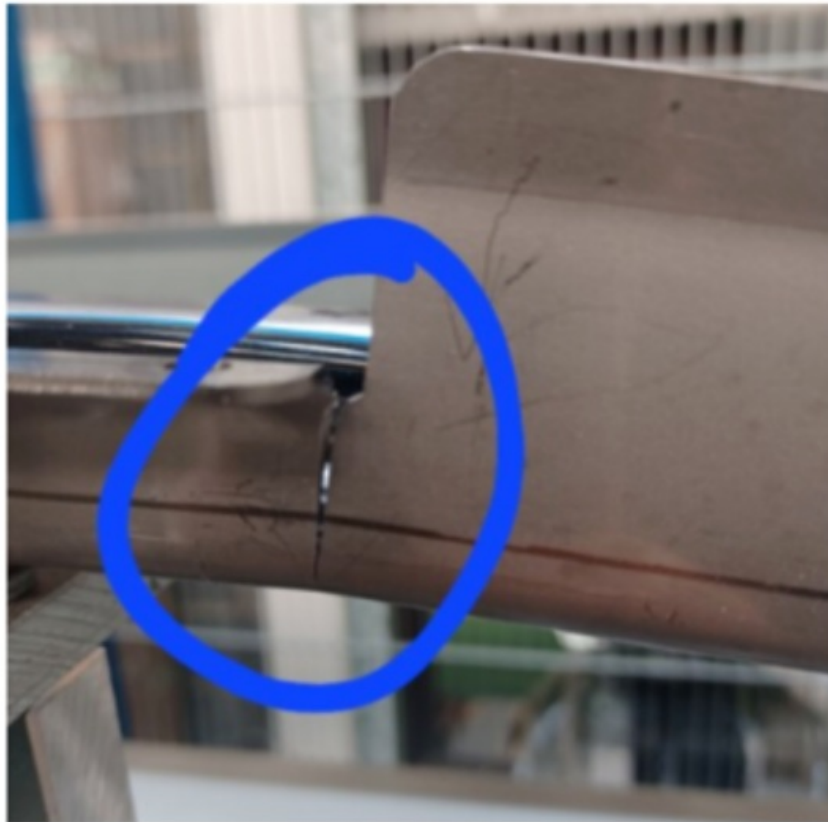
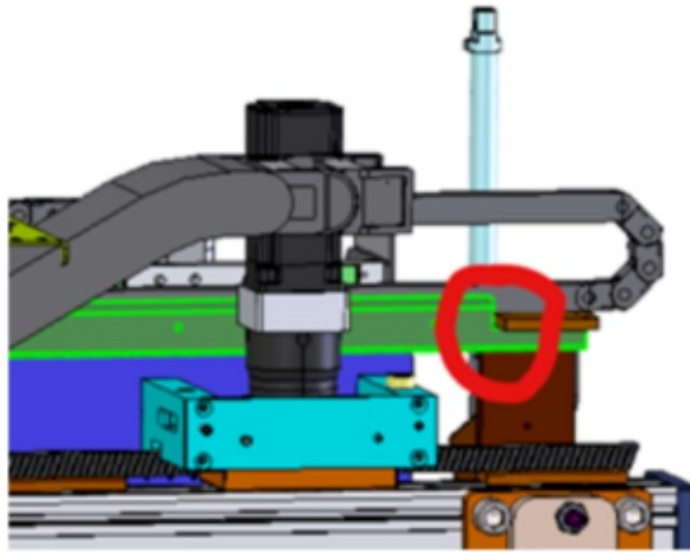
Reinforcing Plates for the Energy Chain Tray

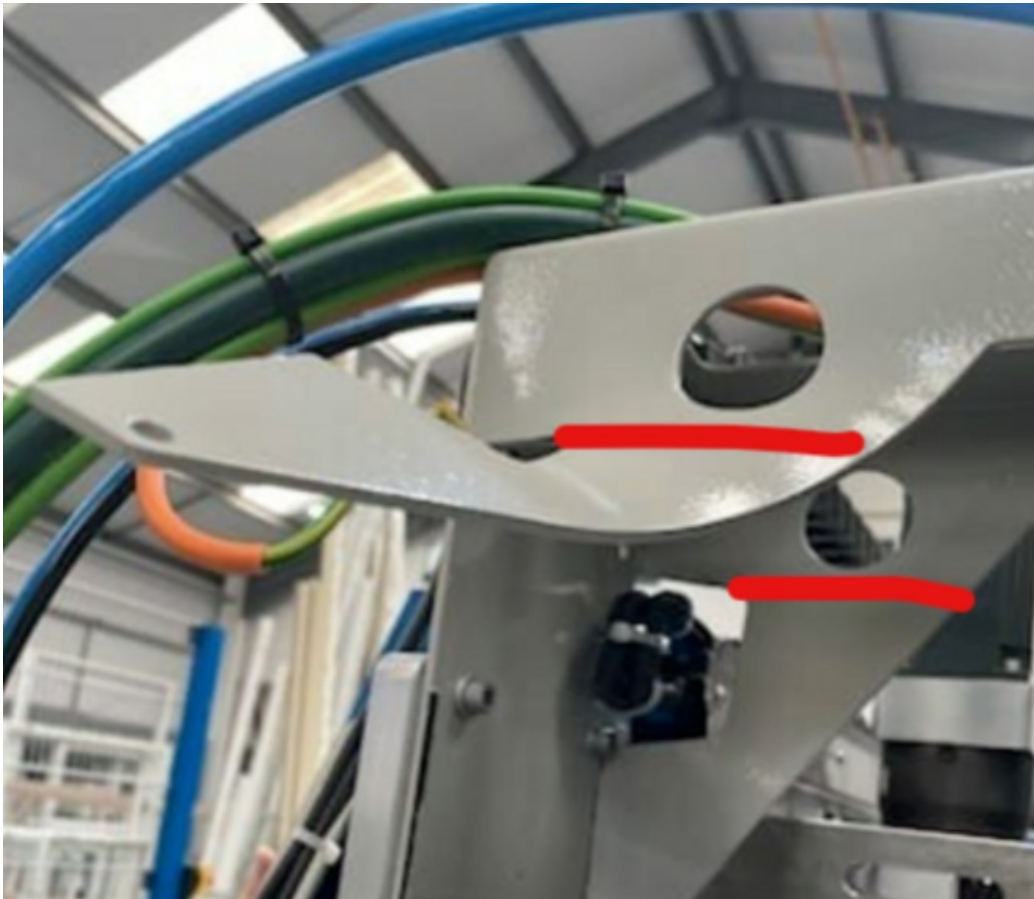
Comments

Problem

On A2030, the energy chain tray for the forward clamp was splitting along a seam and breaking. This, in turn put the tray in misalignment with the hole in the main energy chain tray mount. This led to a catastrophic failure of the system.

Energy chain tray stress fracture on 421312





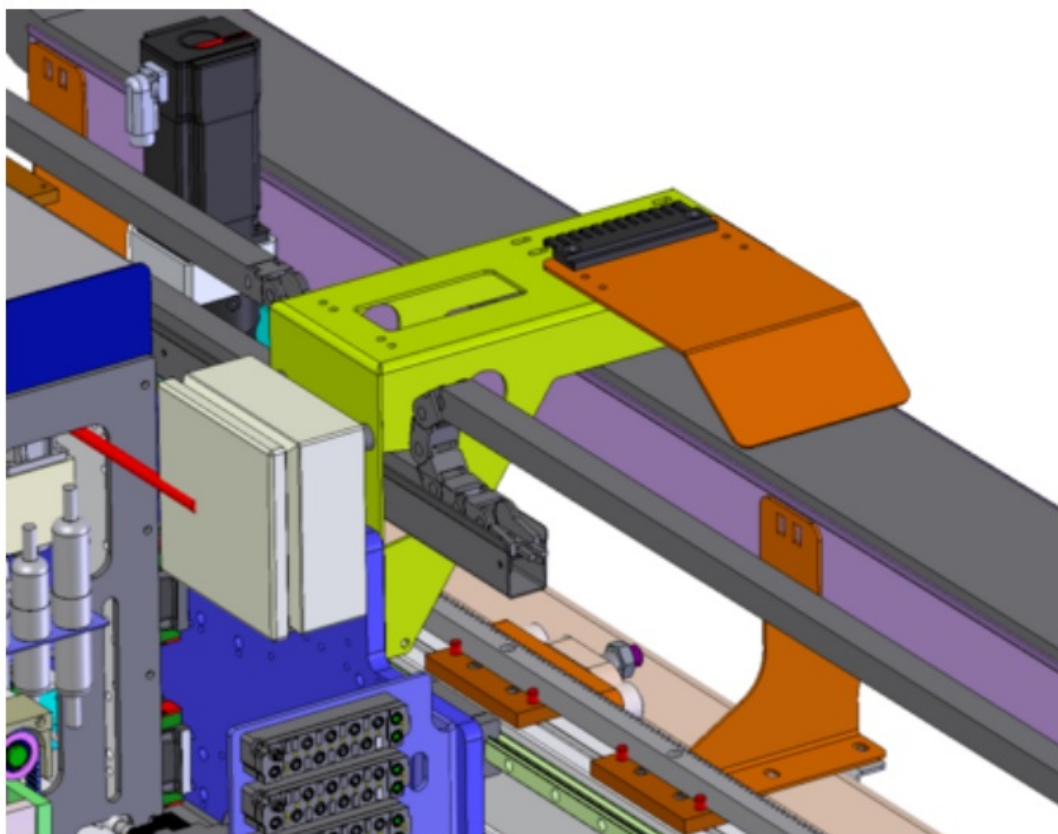
Solution

The solution is twofold

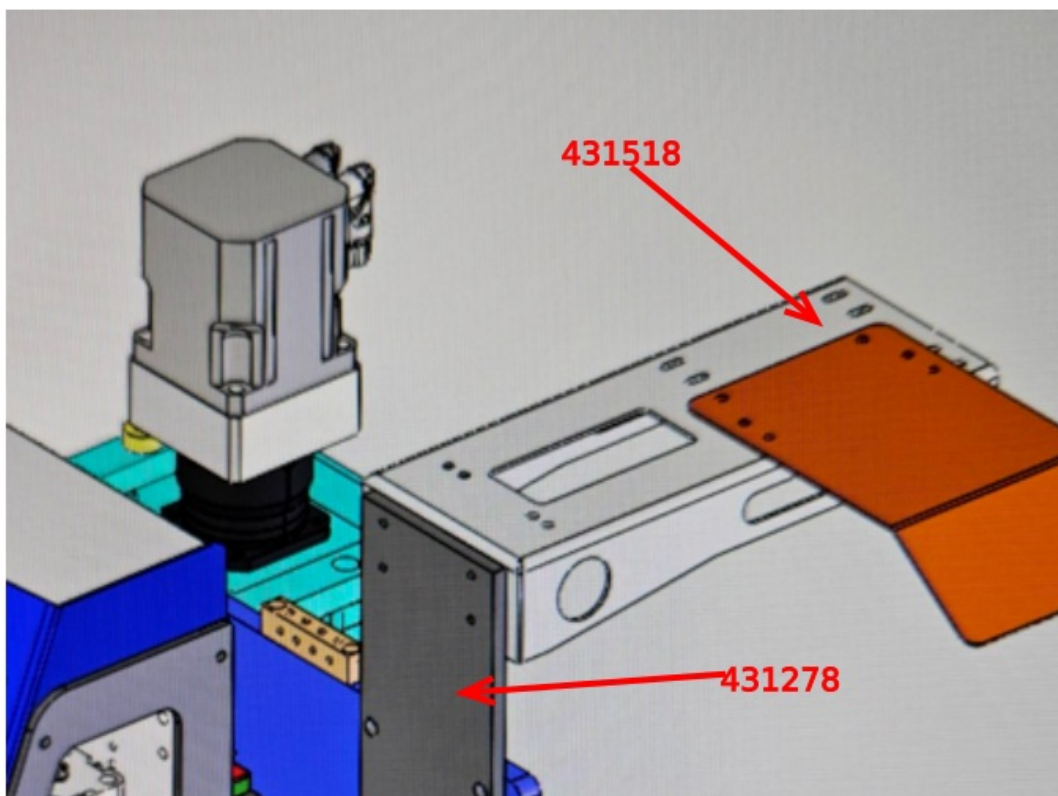
Redesign of Main Energy Chain Tray Holder

The original part and mounting plate have been replaced with 431278 and 431518


Before



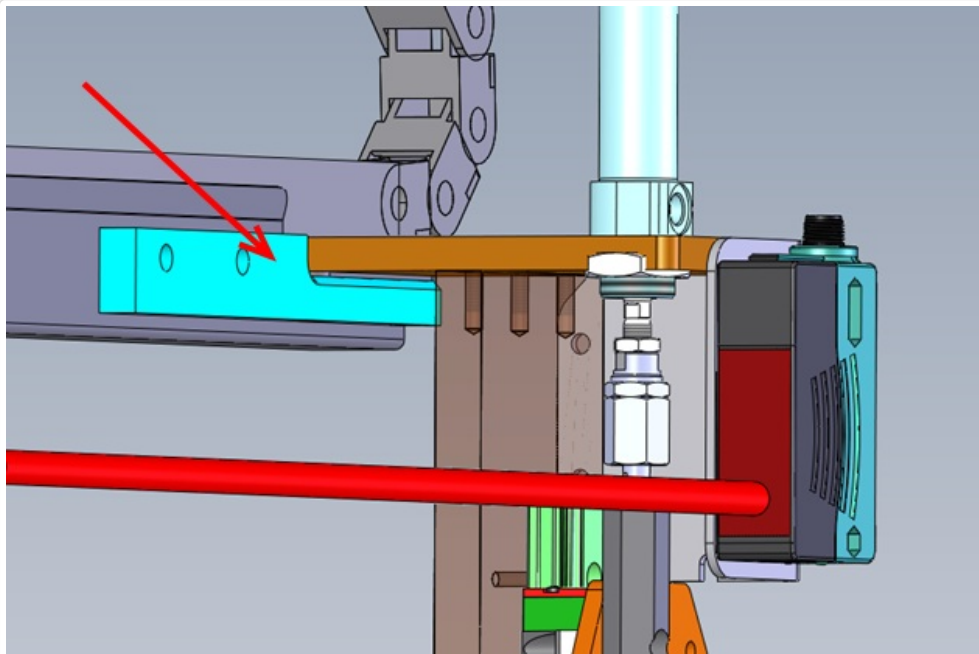
After



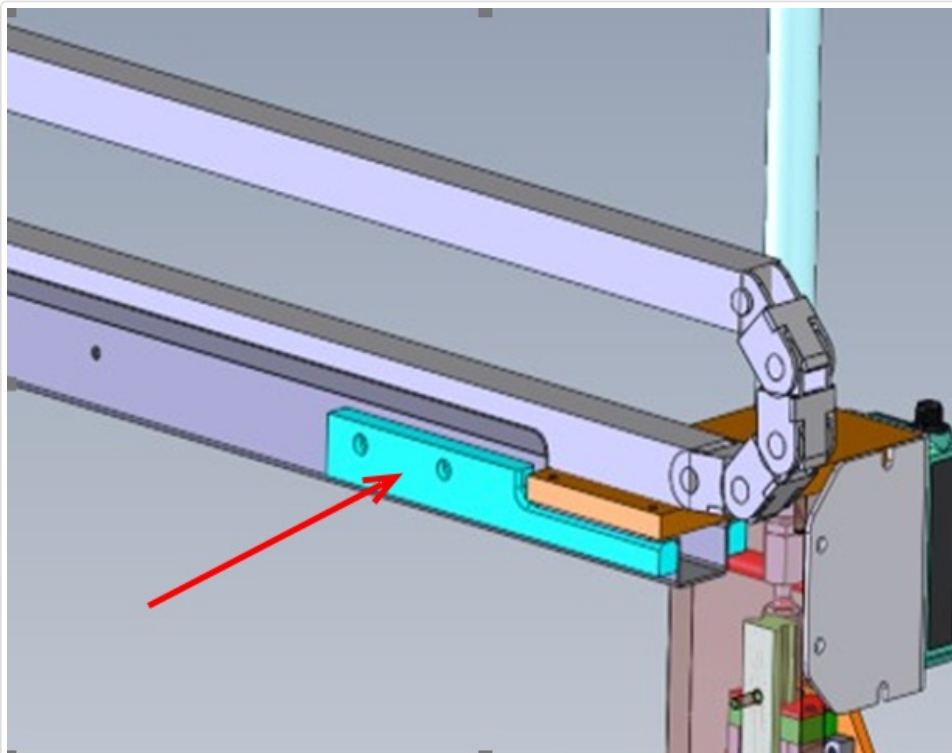
Reinforcing Plates for the Energy Chain Tray

 ...Pictures are shown for a left to right feed system

Part number 431805 has been designed to fit alongside each side of the energy chain tray (421312) to stabilise and strengthen the joint
Page 4 / 5



Front View



Rear View