

RMZX515 Retrofit Beam Movement Guard

Fitting ZX5 Beam Move finger guard

Contents

- Objectives
- Completion
- Comments

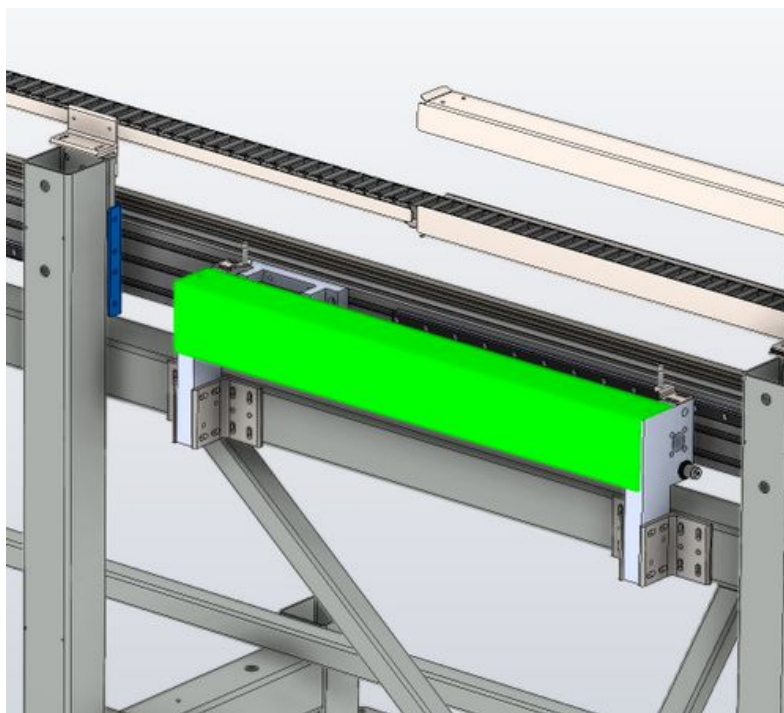
Objectives

The beam move cylinder introduces a potential finger trap



A simple guard has been designed to go over this area. D0015948.

1. Remove the main guard panel covering this area
2. Fix with two screws through holes provided
3. Replace the main guard



Completion

This modification is expected to take no longer than 1/2 hour to complete.

Completion is when:

- All guards fitted and secured
- Entry in Monday Retrofit Compliance board
 - Entry in comments section to log you have completed it and any difficulties encountered
 - Update the Status
 - Add time taken
 - Add photos to evidence work in photos column