

# R0019223 Modification for Tall and Short Profiles

Fitting the modifications and a ZX5 for tall and short profiles

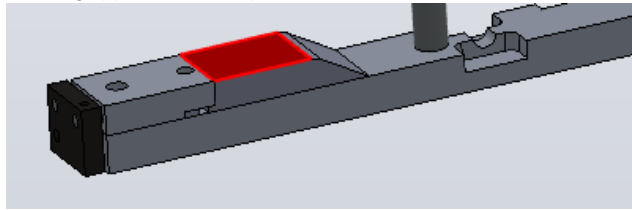
## Contents

- Gripper Modification
- Infeed Clamp Modification
- Comments

Fitted to Z100, Z108 to allow opening range for VS outer and sash profile 145-45mm

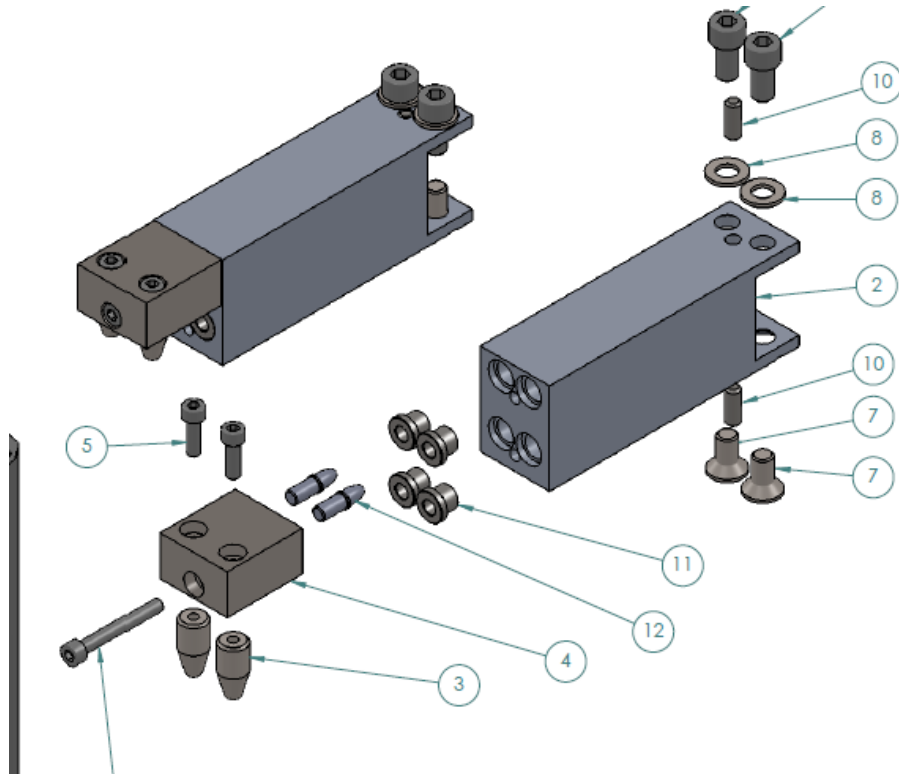
Requires a gripper nose modification, the gripper position will need to be changed when the tallest profile is used

R0019223B Variant added to account for the gripper nose component that needs to be extended for the Long Stroke Gripper Upgrade



## Gripper Modification

Uses the two height location system and short grip pins to allow the gripper to open to height of VS outerframes



## Infeed Clamp Modification

