



R0015349 Install Waste collection boxes

Position details for waste collection boxes

 Difficulty Easy

 Duration 0.25 hour(s)

Contents

Introduction

Step 1 - Unless otherwise stated

Step 2 - Remove guard

Step 3 - Install waste collection

Step 4 - Replace guard

Comments

Introduction

Tools Required

None

Parts Required

M0000277 Euro Container Ext 800x600x319mm Int 755x555x295 (ZX) x 2

Step 1 - Unless otherwise stated

Use Loctite 243 on all fasteners

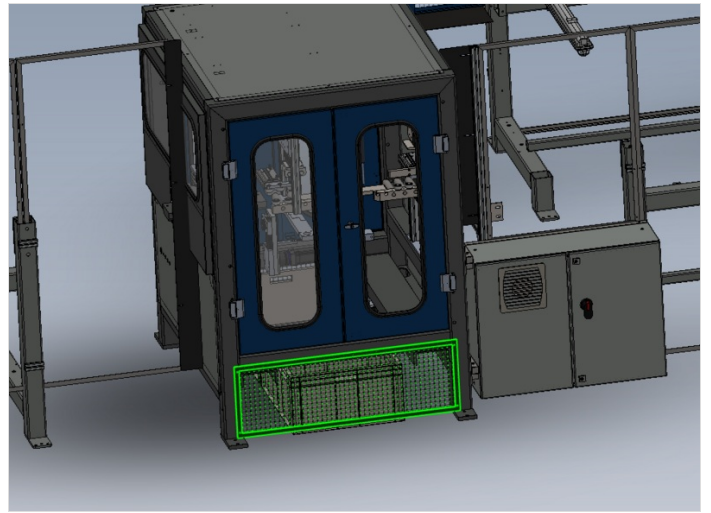
Use Loctite 572 on all threaded pneumatic connection

Pen mark all fasteners to show finalised



Step 2 - Remove guard

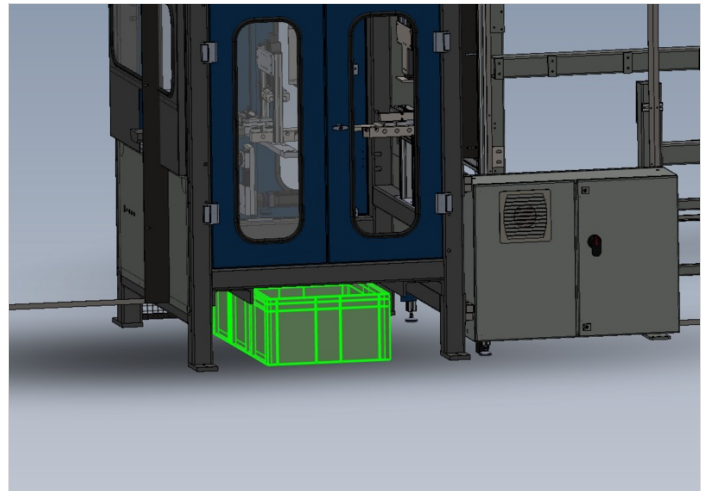
Remove guard if fitted



Step 3 - Install waste collection

Instal 2 off waste collection boxes at indicated point

Removal off



Step 4 - Replace guard

Replace guard once waste boxes fitted

