


R0015322 Remove Electrical Control Cabinet Assembly

Removal of fitted cabinet

 Difficulty Easy

 Duration 0.25 hour(s)

Contents

Introduction

Step 1 - Unless otherwise stated

Step 2 - Remove circlips

Step 3 - Remove pins

Step 4 - Remove cabinet

Step 5 - Remove braces

Comments

Introduction

Tools required

standard hex key set

External circlip pliers

Parts required

fitted cabinet assembly

Step 1 - Unless otherwise stated

Use Loctite 243 on all fasteners

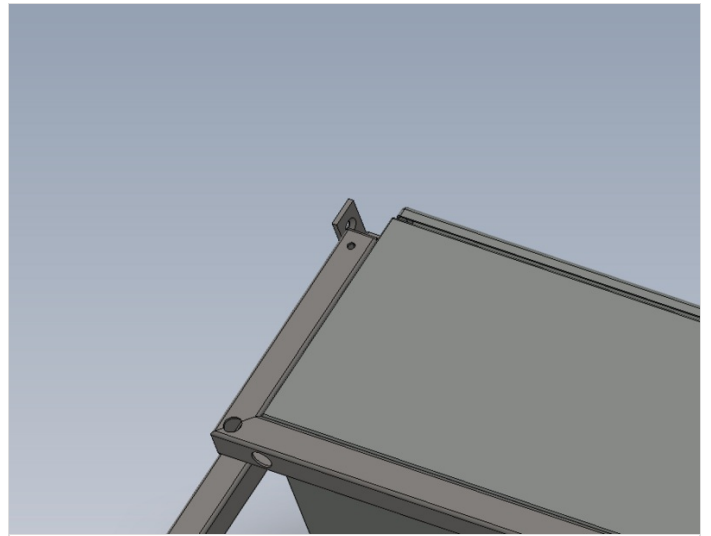
Use Loctite 572 on all threaded pneumatic connection

Pen mark all fasteners to show finalised



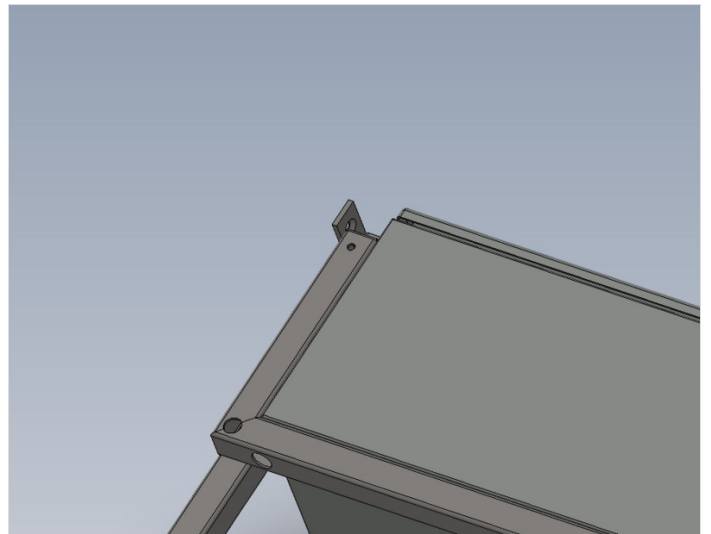
Step 2 - Remove circlips

Remove 2 off circlips from cabinet pins



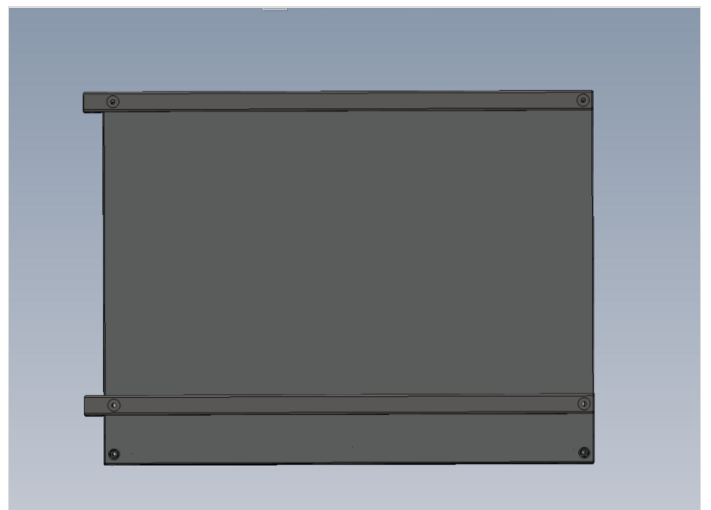
Step 3 - Remove pins

Remove 2 off cabinet pins



Step 4 - Remove cabinet

Remove cabinet and return to electrical department



Step 5 - Remove braces

Remove braces and store with cabinet pins

