


R0015297 Mount V Notch Datum Rollers

Fitment guide for Datum rollers

 Difficulty **Medium**

 Duration **1 hour(s)**

Contents

Introduction

Step 1 - Unless otherwise stated

Step 2 - Mount Mid roller Assembly

Step 3 - Attach rear frame

Step 4 - Attach roller assembly

Comments

Introduction

Tools Required

Standard hex key set

Parts Required

R0015038 Bench Assemble V notch Datum Rollers

Step 1 - Unless otherwise stated

Use loctite 243 on all fasteners

Use loctite 572 on all threaded pneumatic connection

Pen mark all fasteners to show finalised

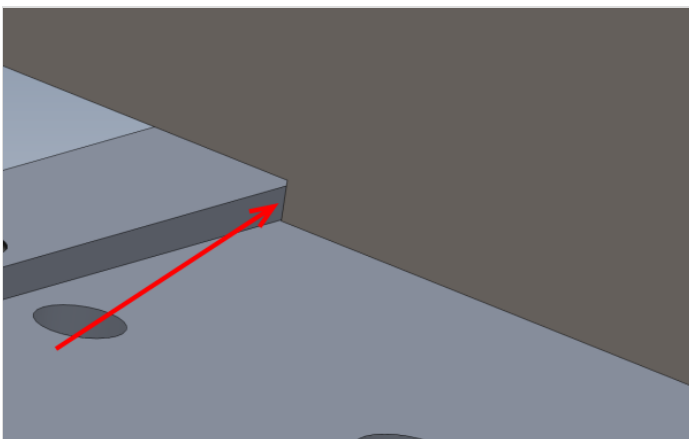
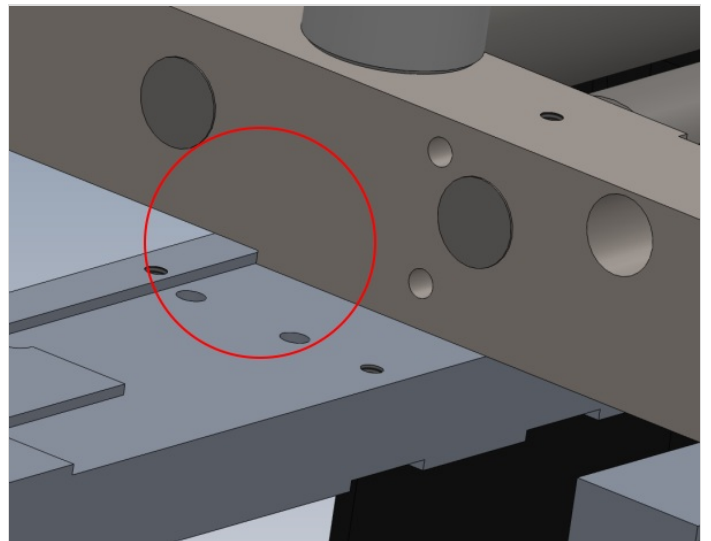
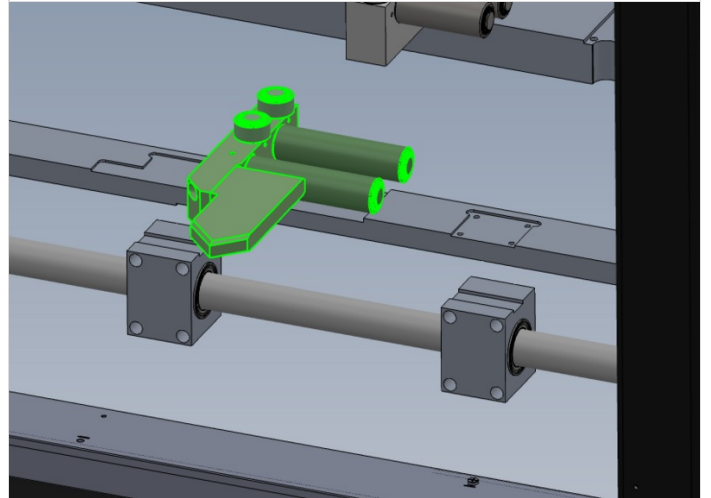
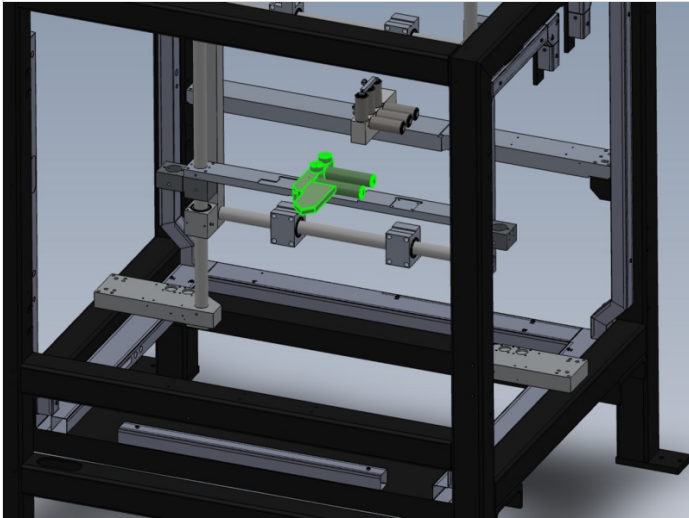


Step 2 - Mount Mid roller Assembly

Fit mid roller assembly as shown . Do not use adhesive at this stage .

Secure with 2 off M6 x 25 socket caps

Ensure indicated face is butted correctly

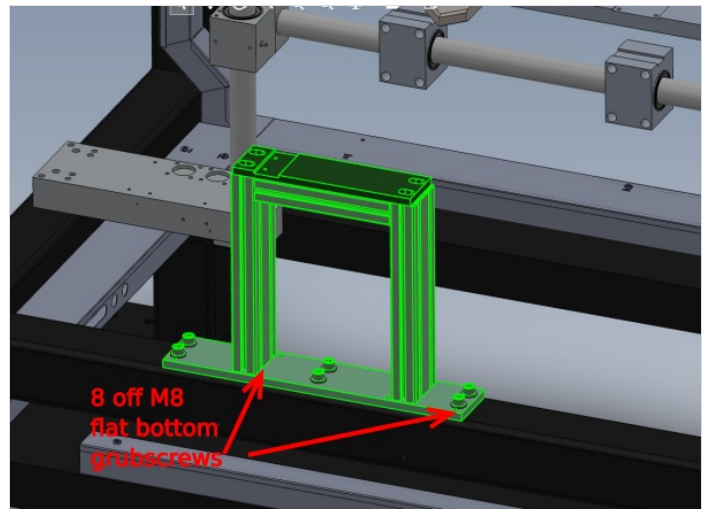
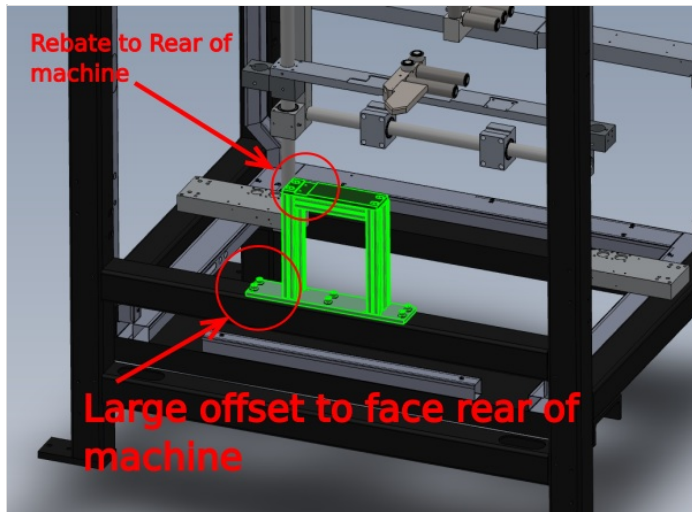


Step 3 - Attach rear frame

Attach frame to rear as shown , secure with 6 off M10 x 30 socket caps and a form washers
Fit 8 off M8 x 12 flat bottom grubscrews as indicated

Do not use adhesive at this point

Check orientation as shown



Step 4 - Attach roller assembly

Attach Roller assembly as shown , using 2 off M6 x 50 socket caps and A form washers

Do not use adhesive at this point

