


R0015284 Frame ancillaries

Instructions to mount items such as wire basket to main frame

 Difficulty Easy

 Duration 2 hour(s)

Contents

Introduction

Step 1 - Mount upper basket

Step 2 - Mount lower support brackets

Step 3 - Fit lower wire basket

Step 4 - Levelling bracket Positions

Step 5 - Drill and Fit Levelling brackets

Comments

Introduction

Tools Required

115mm disc cutter
Standard Hex key set
Standard spanner set
Standard tape measure
Standard Tap set
Standard HSS drill set

Parts Required

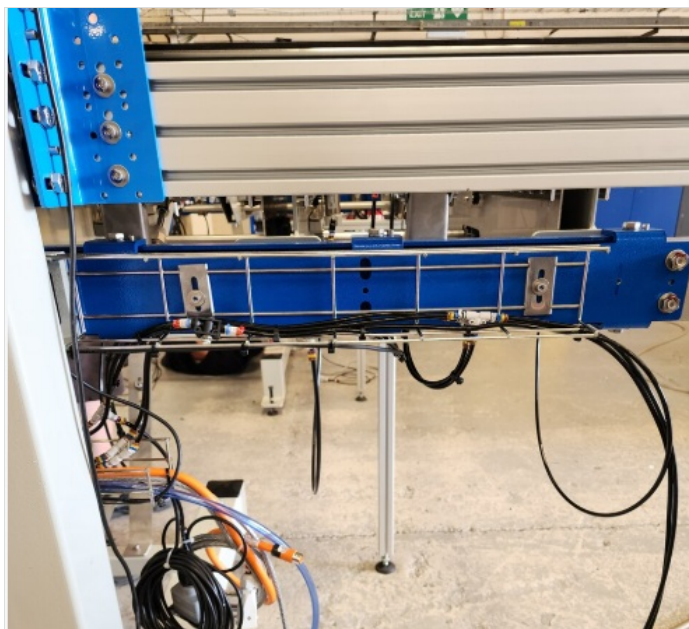
A0001060 Support bracket :Cable basket Tray x 5
A0001061 Retainer: Wire Basket Cable Tray x 7
A0001065 Wire cable tray 3m length x 2.5
D0015611 Reference Levelling Bracket x 2

Step 1 - Mount upper basket

Cut 1 piece of A0001065 Wire cable tray to the length shown (6 sections)

Drill and tap two fixing holes M6 to fit to indicted position on rear of blue support bar

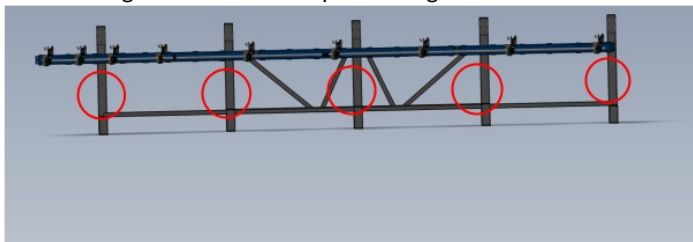
Fix with 2 off A0001061 basket retainers as shown using supplied M6 fasteners with mounting bracket



Step 2 - Mount lower support brackets

Fit 5 off basket support bracket to pre drilled holes at indicated points .

Secure using M8 x 20 socket caps and Large M8 washers



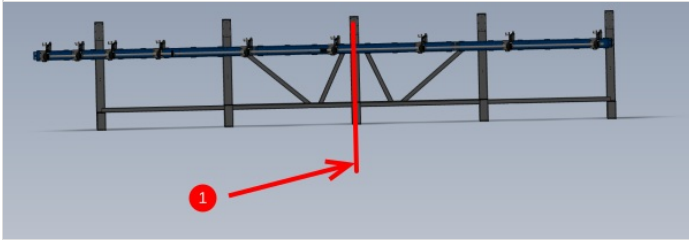
Step 3 - Fit lower wire basket

Mount 2 full lengths of A0001065 wire basket to previous fitted brackets .

1 Join should be at central bracket between two sections and both baskets encapsulated with a retainer

2 Fix wire baskets to support brackets using 5 off A0001061 (1 retainer per bracket)

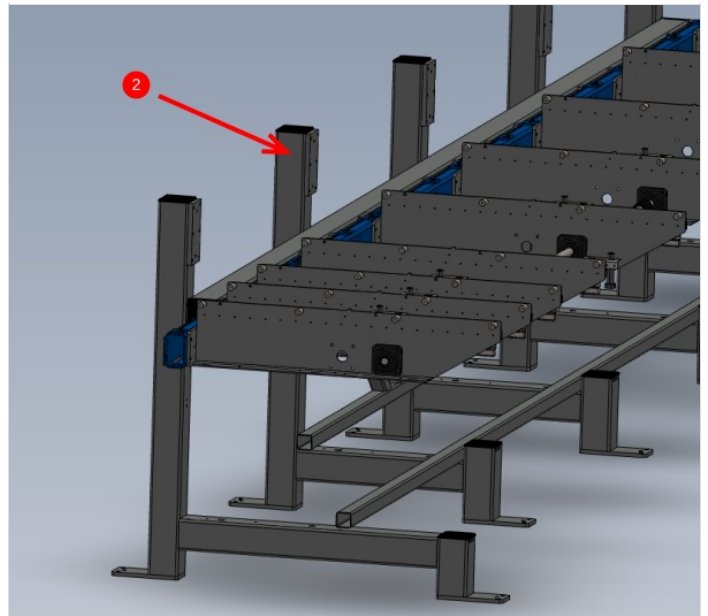
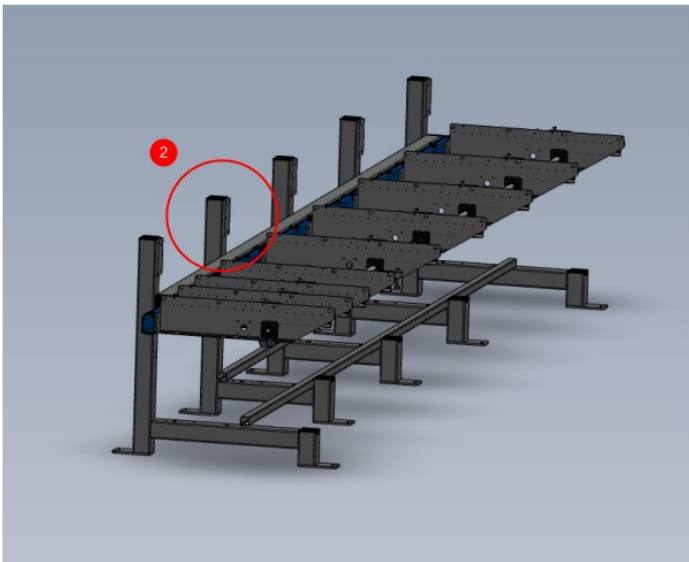
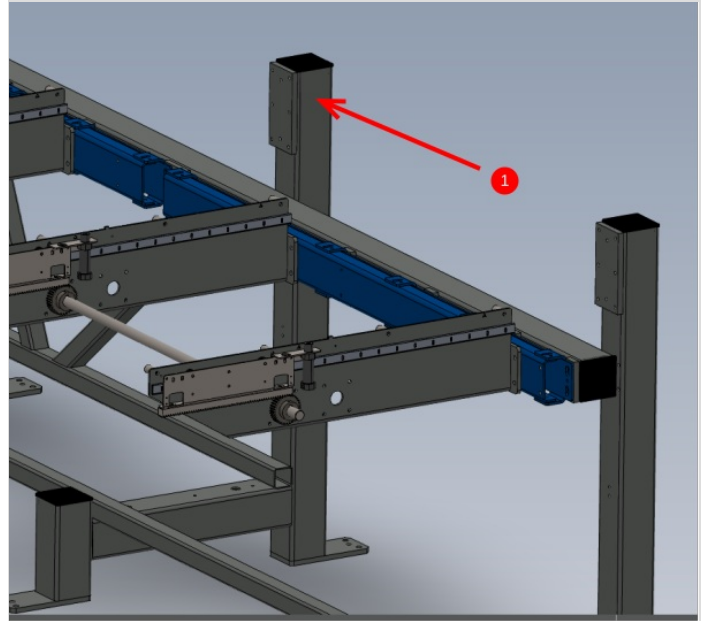
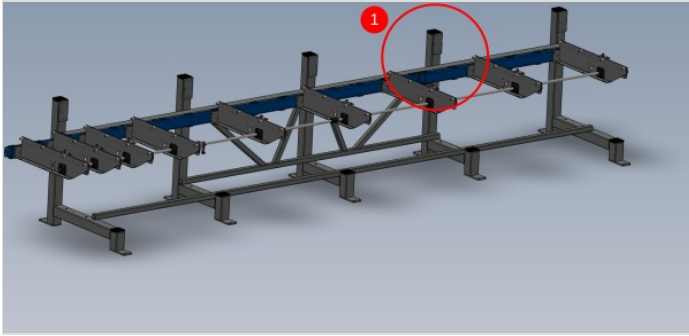
Use M6 x 20 button sockets, M6 penny washers and m6 nyloc nuts





Step 4 - Levelling bracket Positions

2 off Levelling pads D0015611 need fitting to indicated positions



Step 5 - Drill and Fit Levelling brackets

Position bracket as shown and drill 1 off M6 tapped hole and secure with M6 x 20 socket cap and heavy washer. Use engineers level to level bracket, then mark and drill second M6 tapped hole.

Finalise fasteners, whilst using level to ensure bracket remains level on the indicated plain.

Repeat for 2nd bracket position

