

R0015271 Mount buffer bars

instructions to mount buffer bars

 Difficulty **Medium**

 Duration **1 hour(s)**

Contents

Introduction

Step 1 - Unless otherwise stated

Step 2 - Check D0015464B Infeed Rear Endfence

Step 3 - Attach front buffer bar

Step 4 - Attach rear buffer bar

Step 5 - Mount light curtain post

Comments

Introduction

Tools Required

Standard Hex key set

Parts Required

D0015463 Infeed Front Endfence x1

D0015464B Infeed Rear Endfence x 1

D0015465 Endfence Spacer - Short x 3

D0015466 Endfence Spacer - Long x 3

D0016335 light curtain mounting post x 1

Step 1 - Unless otherwise stated

Use loctite 243 on all fasteners

Use Loctite 572 on all threaded pneumatic connections

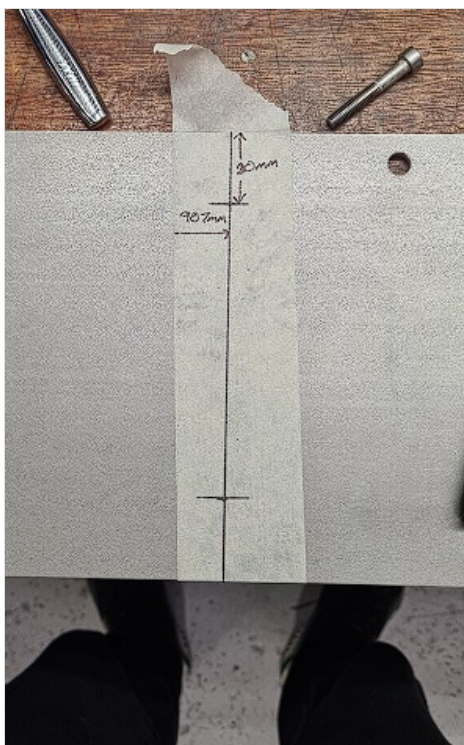
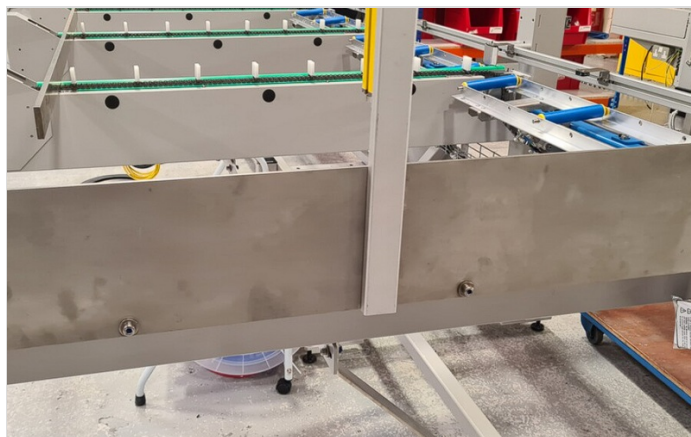
Pen mark all bolts to show finalised



Step 2 - Check D0015464B Infeed Rear Endfence

Check D0015464B Infeed Rear Endfence has been drilled for m6 countersinks

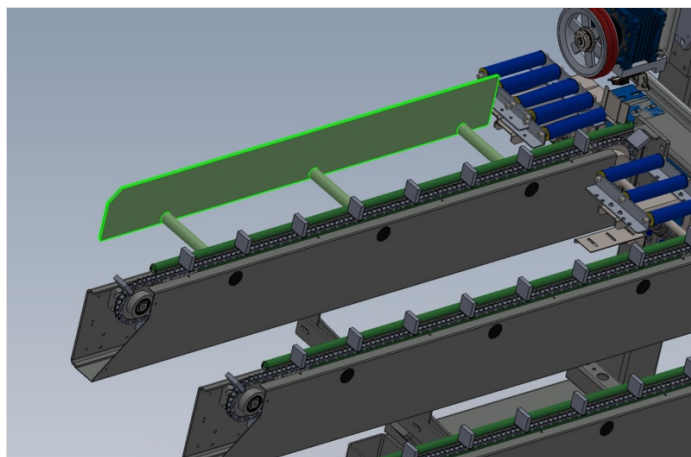
If not rework and note rework time



Step 3 - Attach front buffer bar

Attach 3 off D0015465 Endfence Spacer - Short infeed to end of frame . Secure with 3 off m8 x 25 socket caps and heavy M8 washers

Attach D0015463 Infeed Front Endfence to fitted posts and secure with 3 off M8 x 25 socket caps and heavy M8 washers

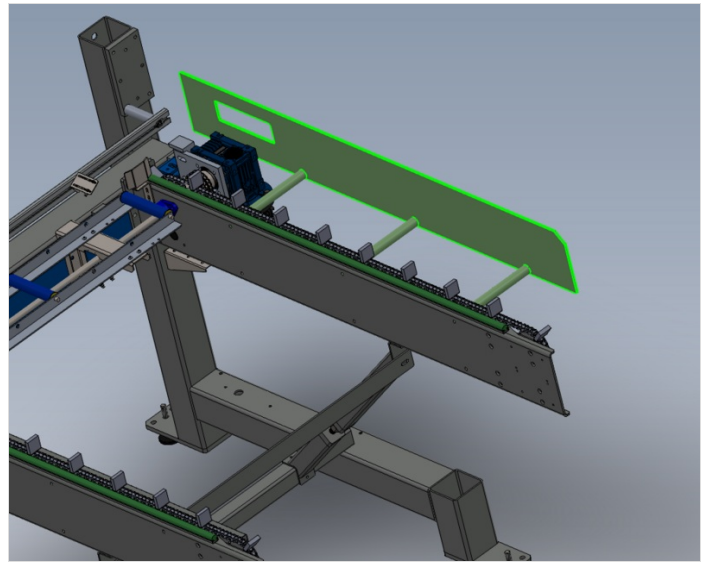


Step 4 - Attach rear buffer bar

Attach 3 off D0015466 Endfence Spacer - Long to loader arm with 3 off M8 x 25 socket caps and heavy M8 washers

Mount in place D0015464B Infeed Rear Endfence and secure with M8 x 25 socket caps and heavy M8 washers

Do not apply adhesive or apply final tension to these bolts as end plate will need to be removed in a later stage of build



Step 5 - Mount light curtain post

Attach D0016335 light curtain post as shown (light curtain and cable will be fitted later)

Attach with M6 x 16 Countersink and M6 F0000299 D nuts

Position flush with bottom of buffer bar as shown

Fit 3 off M4 cable tie bases and secure with m4 x 6 button sockets

