


R0015253 Fit Slider units

Instructions on mounting slider units to support arms

 Difficulty **Medium**

 Duration **1 hour(s)**

Contents

Introduction

Step 1 - Unless otherwise stated

Step 2 - Fit slider units to Arms

Step 3 - Fit support arm spacers to arms

Comments

Introduction

Tools Required

Standard spanner set

Parts Required

Pre built Slide units

Step 1 - Unless otherwise stated

Use Loctite 243 on all fasteners

Use Loctite 572 on all threaded pneumatic connections

Pen mark all bolts to show finalised



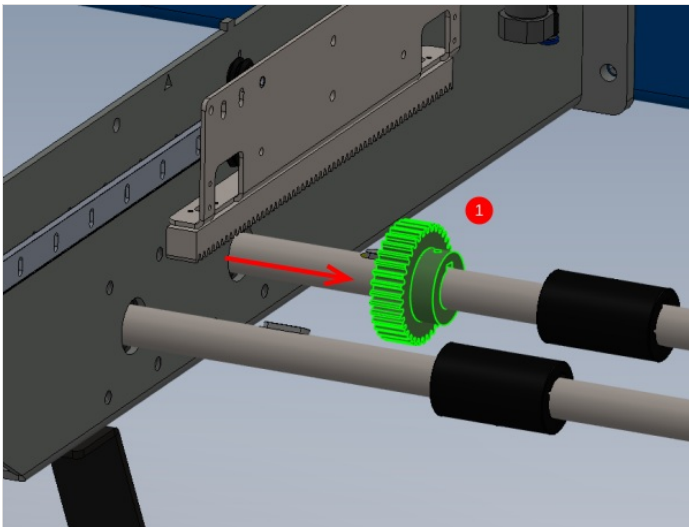
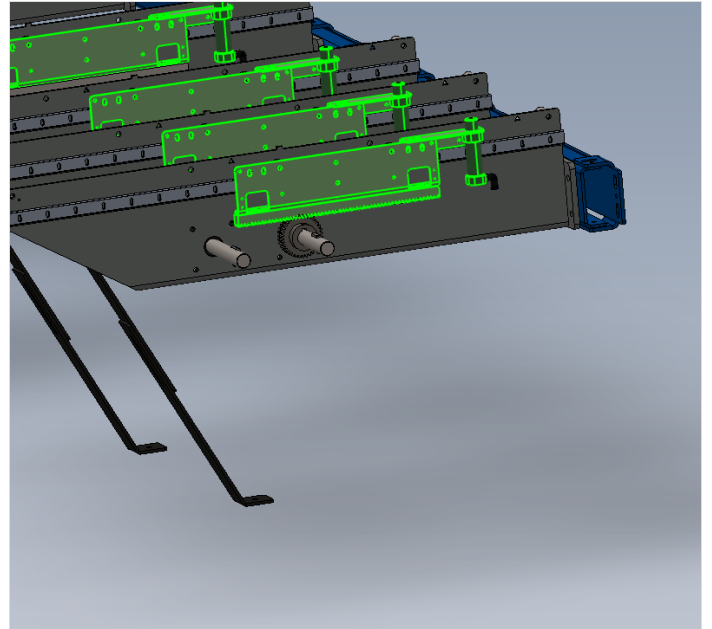
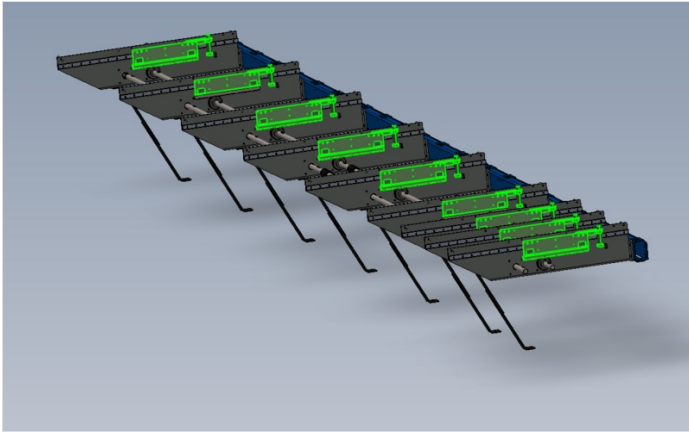
Step 2 - Fit slider units to Arms

Slide pre built slider units on rails .

1 Ensure drive pinion is slid away from assembly

2 Use setting dokit Setting Delrin Transfer Table Wheel Tension and set delrin wheels to correct tension. Check at all points over oozenest V rail

3 Repeat for all 9 units



Step 3 - Fit support arm spacers to arms

2 off per arm

Fix using M8 x 20 hex head Set bolt and finalise with loctite 243

Please provide pictures

