


R0015263 Mount drive motor for load shaft

instructions to mount loading arms drive shaft motor

 Difficulty **Medium**

 Duration **1 hour(s)**

Contents

Introduction

Step 1 - Unless otherwise stated

Step 2 - Assemble Motor

Step 3 - Attach motor mount

Step 4 - Attach torque converter

Step 5 - Attach motor

Step 6 - Adjustment

Step 7 - Fit duplex chain

Step 8 - Lock off Drive shafts

Comments

Introduction

Tools Required

Standard Hex key set

Standard Spanner set

Long nose pliers

Parts Required

B0000041 Feather Key 5 x 5 x 18 Long x 1

B0000142 Feather key 5 x 5 x 25 long

B0000240 Geared Motor 0.18kW 18RPM Motovario x1

B0001100 Feather Key 8 x 7 x 30 Long x2

D0006714 Index Torque Limiter (B0189 / B0190) x1

D0015460 Infeed Motor Shaft (2018) x1

D0015461 Infeed Motor Mount x1

D0015462 Infeed Motor Platex1

Step 1 - Unless otherwise stated

Use loctite 243 on all fasteners

Use Loctite 572 on all threaded pneumatic connections

Pen mark all bolts to show finalised

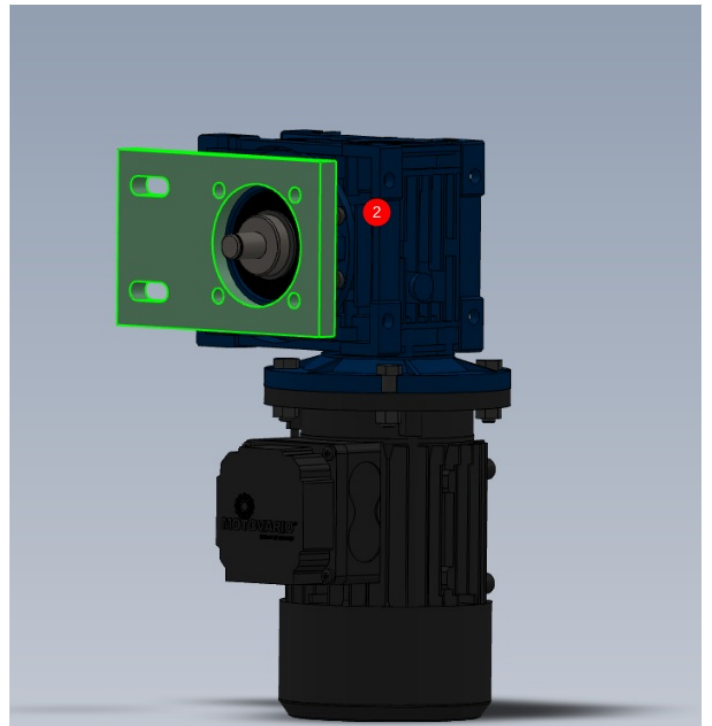
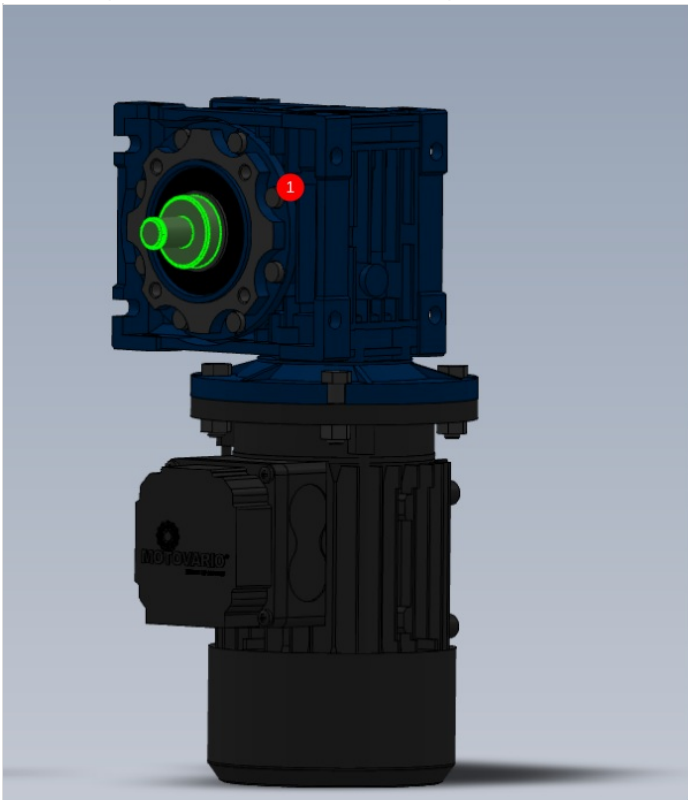


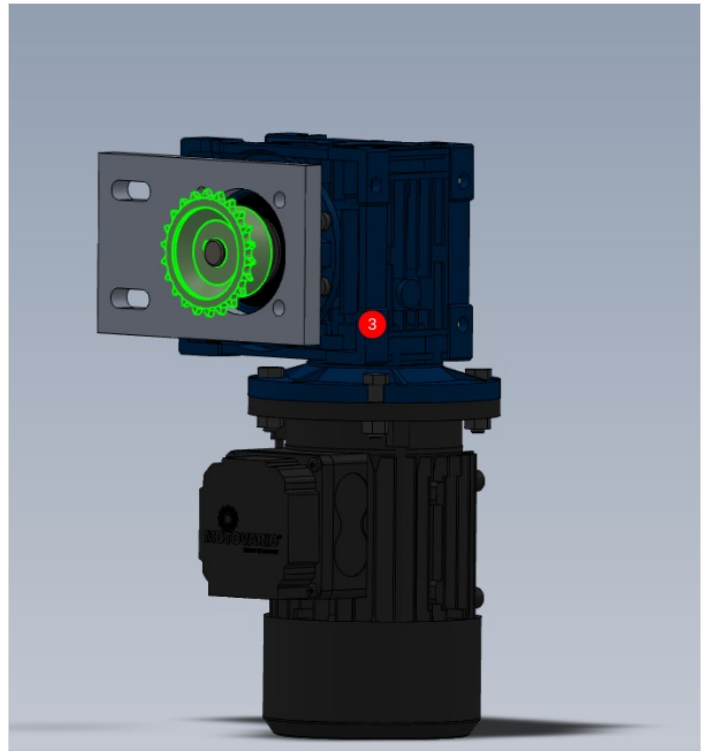
Step 2 - Assemble Motor

1 Fit 2 off B0001100 keys to D0015460 shaft and fit and orientate as shown. Use 24mm external circlips to captivate shaft

2 Attach D0015462 infeed motor plate using M8 x 20 socket caps 4 off and M8 A form washers. Orientate as shown

3 Fit B0000041 key to shaft. Separate torque converter D6714 by removing duplex chain and attach Fixed side of torque converter as shown. Captivate with 15mm external Circlip

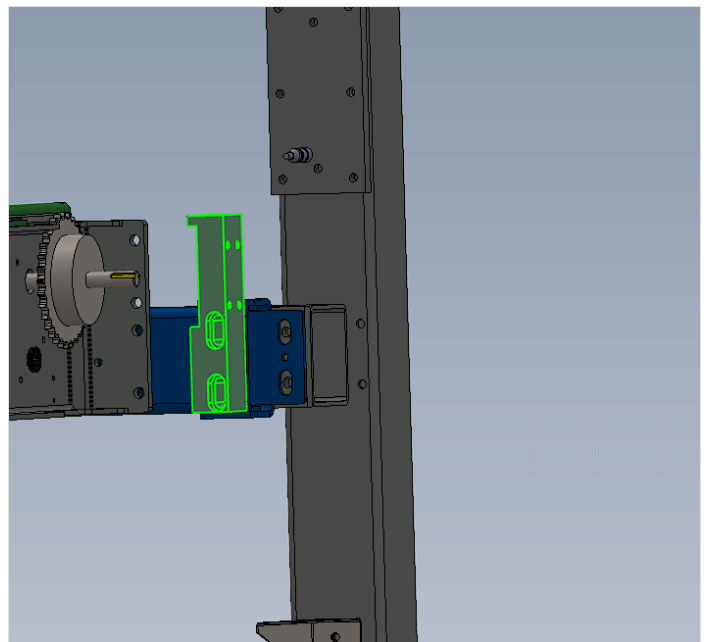




Step 3 - Attach motor mount

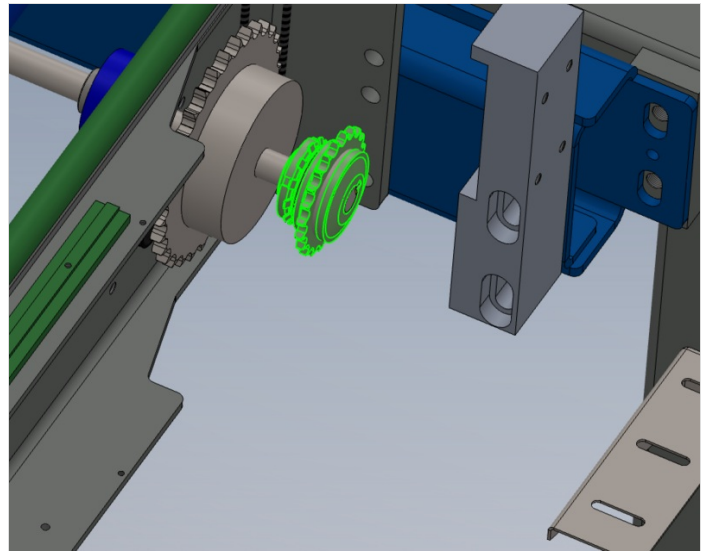
Attach Infeed motor mount to frame using M10 x 70 set bolts and A form washers

Ensure mount plate is mounted square to blue channel
Do not apply final tension as this will require adjusting



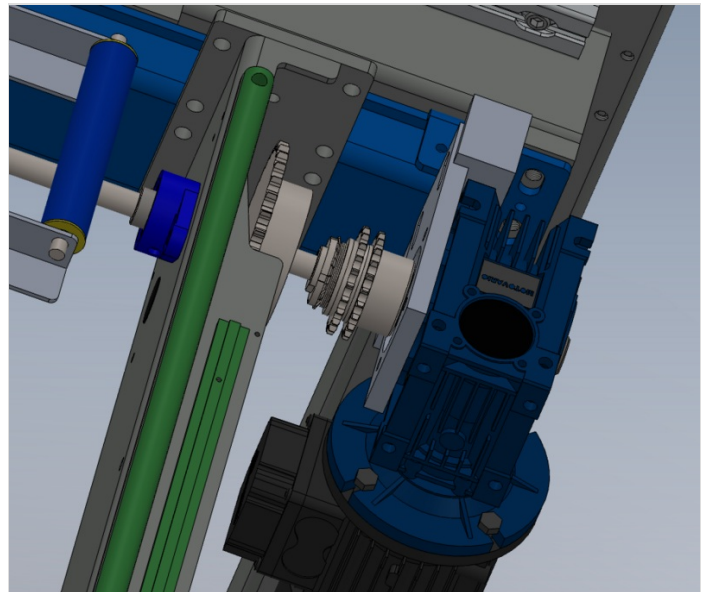
Step 4 - Attach torque converter

Fit B0000142 Key to drive shaft and position torque converter



Step 5 - Attach motor

Attach motor assembly using M10 x 30 cap heads and A form washers



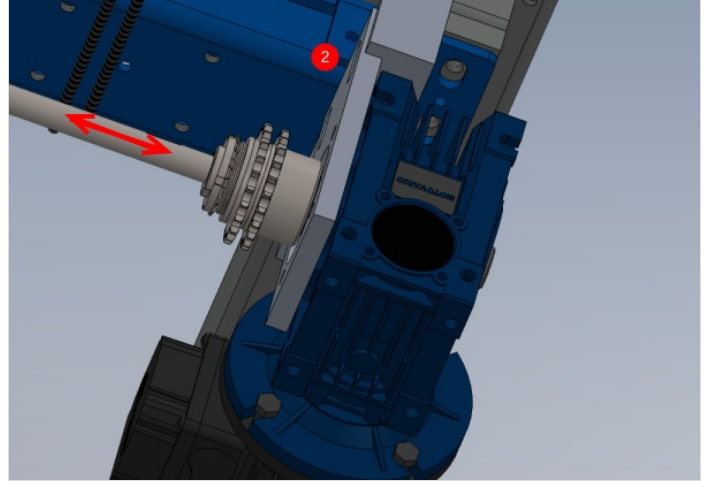
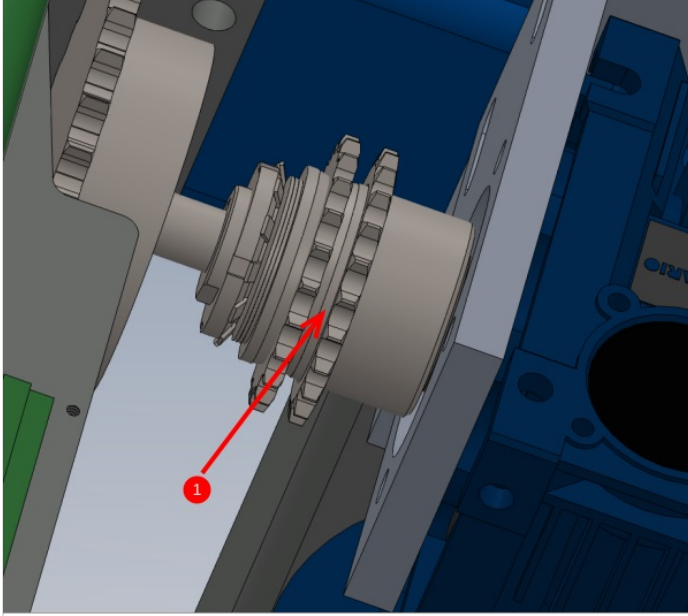
Step 6 - Adjustment

Adjust mounting parts to achieve the following

1 2 parts of torque converter line up and are parallel to each other

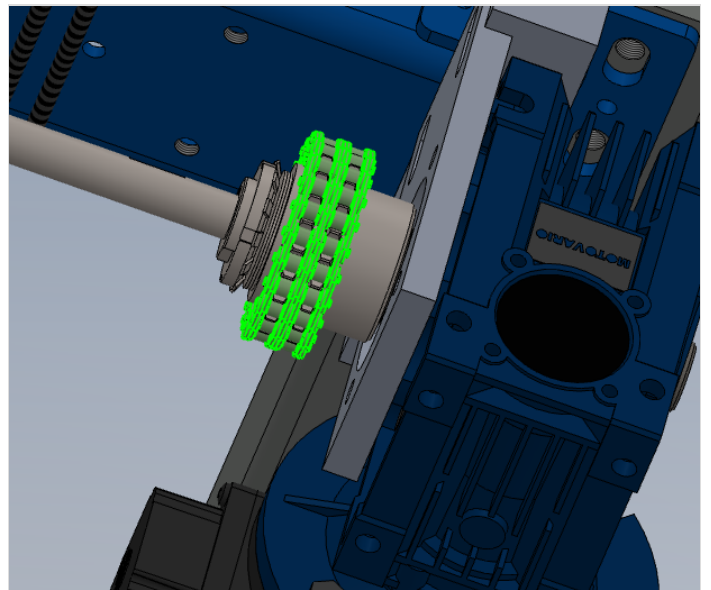
2 Shaft is in correct position (direction shown) to allow correct fitment of torque converter

3 Finalise fasteners



Step 7 - Fit duplex chain

Fit duplex chain to mounted parts of torque converter



Step 8 - Lock off Drive shafts

Apply adhesive and lock off all grub screws in spherical bearings in all positions (9 off bearings)

