


# R0015284 Frame ancillaries

Instructions to mount items such as wire basket to main frame

 Difficulty Easy

 Duration 2 hour(s)

## Contents

Introduction

Step 1 - Mount upper basket

Step 2 - Mount lower support brackets

Step 3 - Fit lower wire basket

Step 4 - Levelling bracket Positions

Step 5 - Drill and Fit Levelling brackets

Comments

## Introduction

### Tools Required

115mm disc cutter

Standard Hex key set

Standard spanner set

Standard tape measure

Standard Tap set

Standard HSS drill set

### Parts Required

A0001060 Support bracket :Cable basket Tray x 5

A0001061 Retainer: Wire Basket Cable Tray x 7

A0001065 Wire cable tray 3m length x 2.5

D0015611 Reference Levelling Bracket x 2

## Step 1 - Mount upper basket

Cut 1 piece of A0001065 Wire cable tray to the length shown (7 sections)

Drill and tap two fixing holes M6 to fit to indicated position on rear of blue support bar

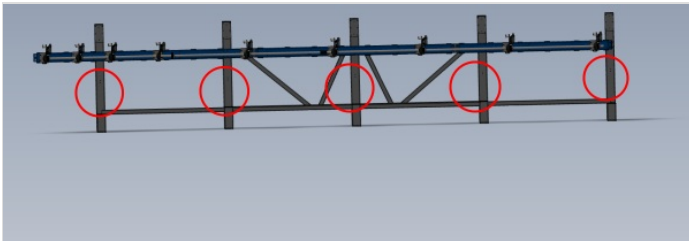
Fix with 2 off A0001061 basket retainers as shown using supplied M6 fasteners with mounting bracket



## Step 2 - Mount lower support brackets

Fit 5 off basket support bracket to pre drilled holes at indicated points .

Secure using M8 x 20 socket caps and Large M8 washers





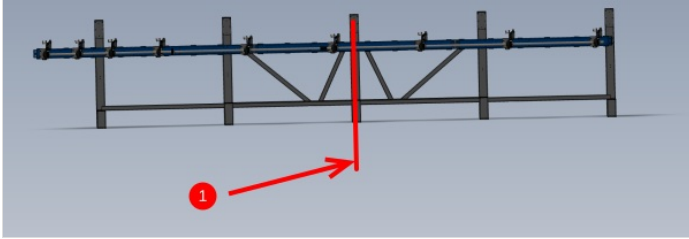
## Step 3 - Fit lower wire basket

Mount 2 full lengths of A0001065 wire basket to previous fitted brackets .

1 Join should be at central bracket between two sections and both baskets encapsulated with a retainer

2 Fix wire baskets to support brackets using 5 off A0001061 ( 1 retainer per bracket )

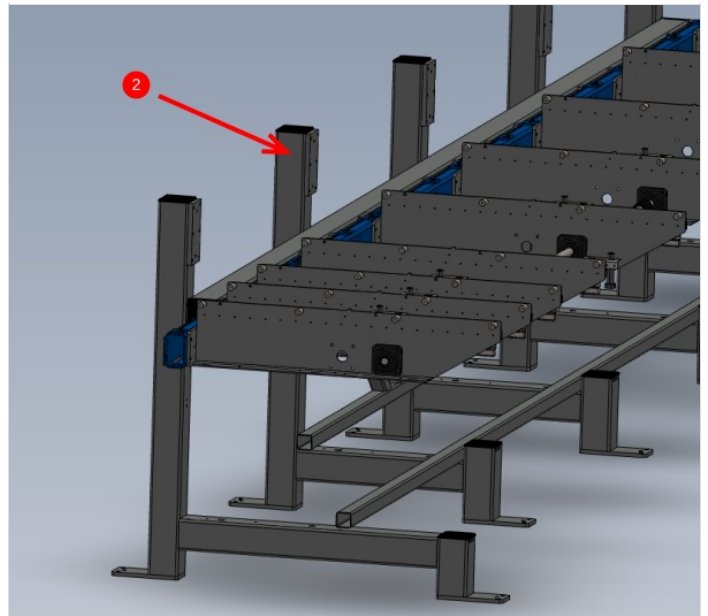
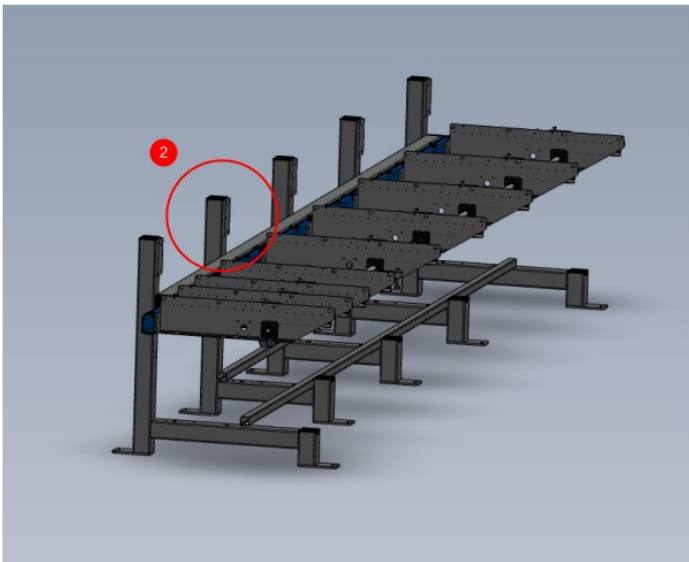
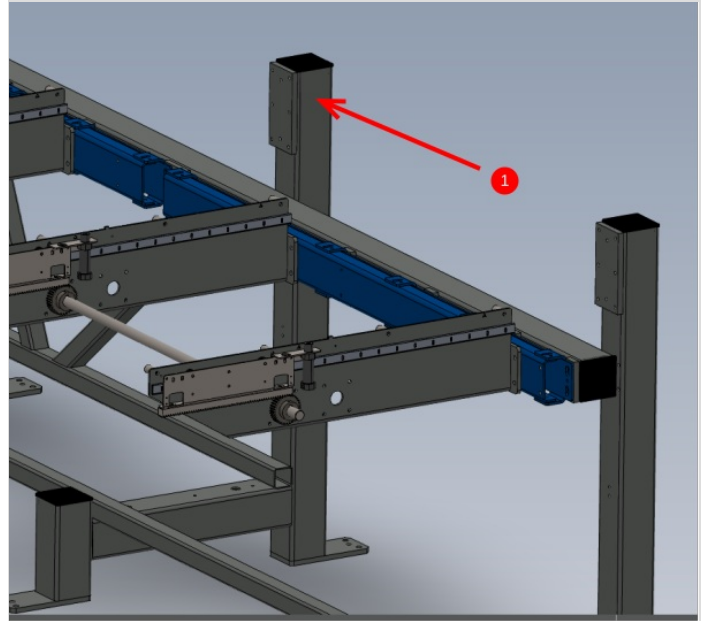
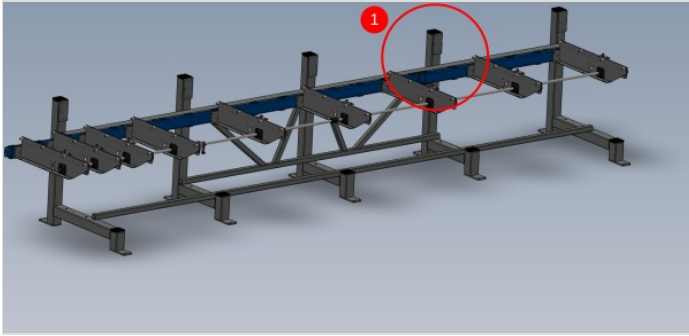
Use M6 x 20 button sockets, M6 penny washers and m6 nyloc nuts





## Step 4 - Levelling bracket Positions

2 off Levelling pads D0015611 need fitting to indicated positions





## Step 5 - Drill and Fit Levelling brackets

Position bracket as shown and drill 1 off M6 tapped hole and secure with M6 x 20 socket cap and heavy washer. Use engineers level to level bracket, then mark and drill second M6 tapped hole.

Finalise fasteners, whilst using level to ensure bracket remains level on the indicated plain.

Repeat for 2nd bracket position

