


# R0015257 Module C Pneumatic Tests

Instructions to pneumatically test build module

 Difficulty **Medium**

 Duration **2 hour(s)**

## Contents

Introduction

Step 1 - Health and Safety

Step 2 - Check all connections are made

Step 3 - Connect air feed

Step 4 - check for air leaks

Step 5 - Check home positions

Step 6 - Test valve bank outputs

Step 7 - Test Y244 material load sensor blowers should be switched OFF

Step 8 - Test Y125 Pop up C should be retracted

Step 9 - Test Y124 Roller beds should be lifted

Step 10 - Test Y126/Y127 Beam position

Step 11 - Test Y122 Rack blower

Step 12 - Y121 Gripper height

Step 13 - Remove pcl connections

Comments

## Introduction

### Tools required

Pcl air line -12mm connector

### Parts Required

R0015000B Completed Module C

## Step 1 - Health and Safety

In this process pneumatic outputs will be tested in a non emergency stop environment

Ensure safe working practice is followed

- Ensure Machine test area is clear from personnel and all staff are aware of testing procedure commencing
- Ensure all Air connection lines are connected
- Ensure all walkways are not impeded by trailing pipes/leads
- Ensure all mechanical assemblies are at a sufficient stage for testing



---

## Step 2 - Check all connections are made

- Check all valve bank ports are either connected or blanked off
  - Check all mains feed pipes are connected or isolated
  - Check all regulators are regulated to minimum setting
  - Check all air flow control valves on cylinders and blow lines are set to mid range adjustment
- 

## Step 3 - Connect air feed

Connect air feed to mains 12mm feed pipe using pcl coupling and 12mmmm push fit adapter

---

## Step 4 - check for air leaks

Investigate any air leaks and resolve

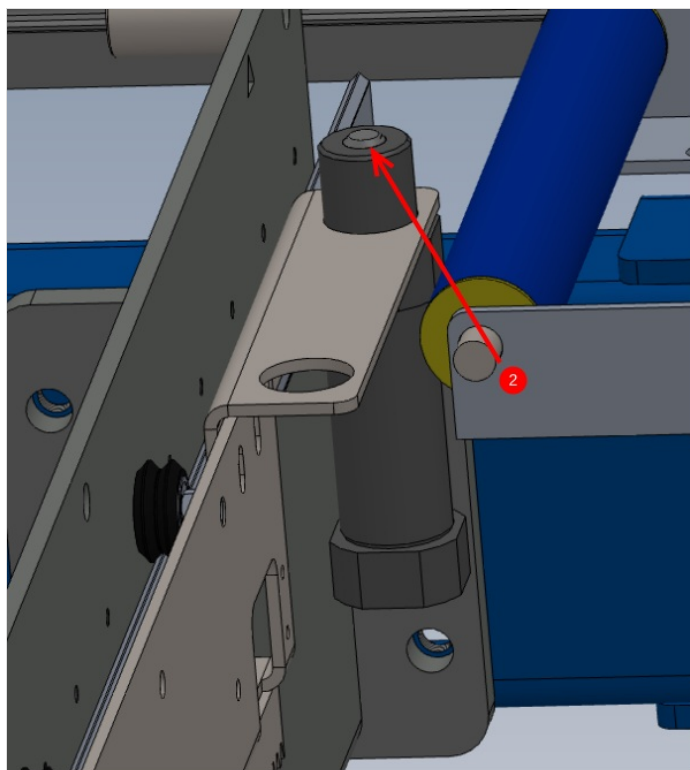
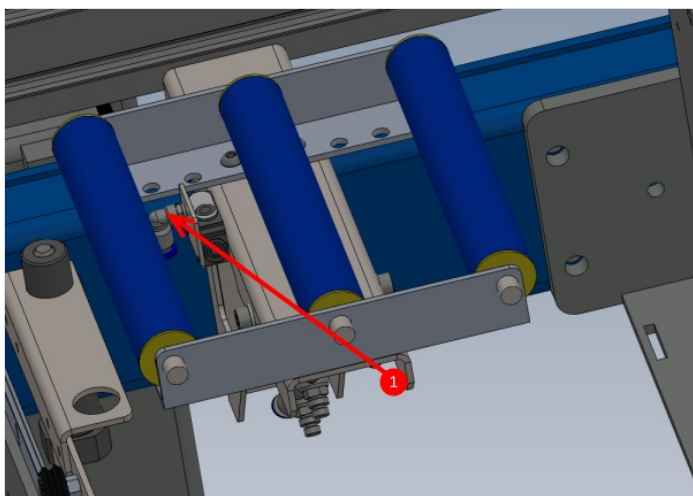
---

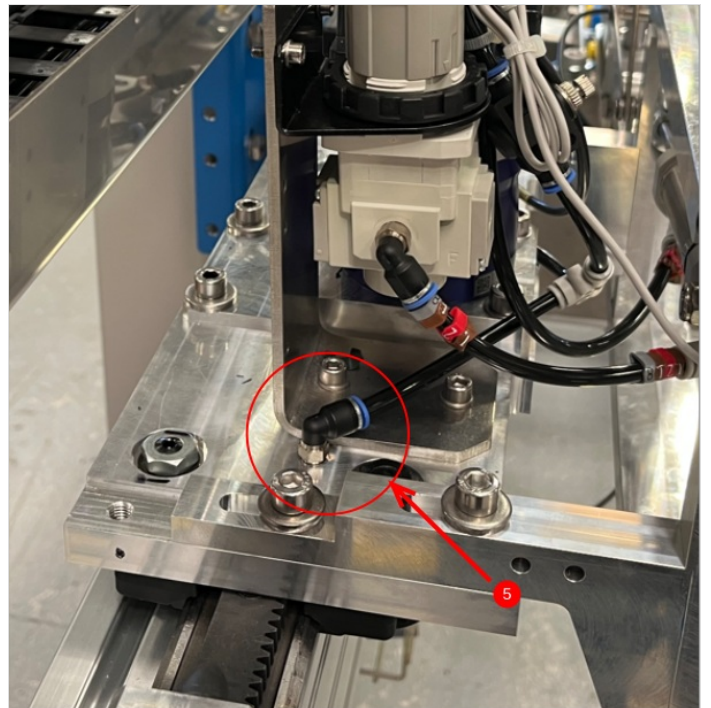
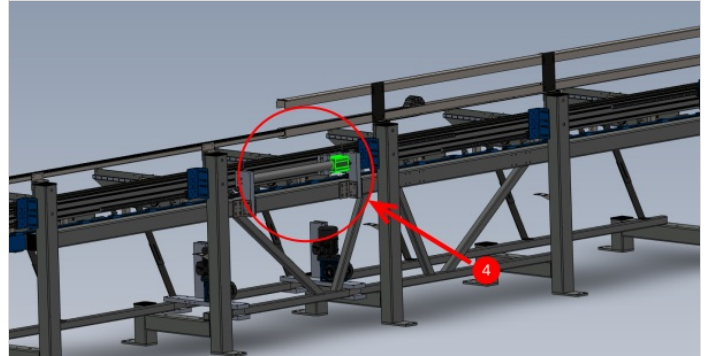
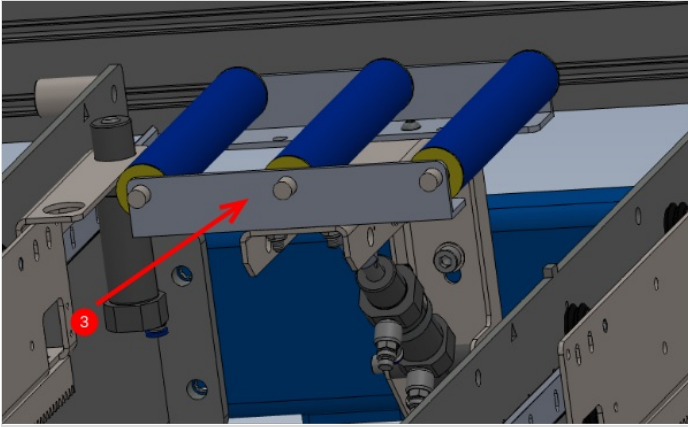
## Step 5 - Check home positions

With no valves active ( no over rides pressed ) the following home positions of pneumatic assemblies should be

- 1 Y244 material load sensor blowers should be switched OFF
- 2 Y125 Pop up C should be retracted
- 3 Y124 Roller beds should be lifted
- 4 Y126/Y127 Beam position should be closest to extraction end
- 5 Y122 Rack blower should be switched OFF
- 6 Y121 Gripper height should be raised up

Any discrepancies on these should be investigated to correct



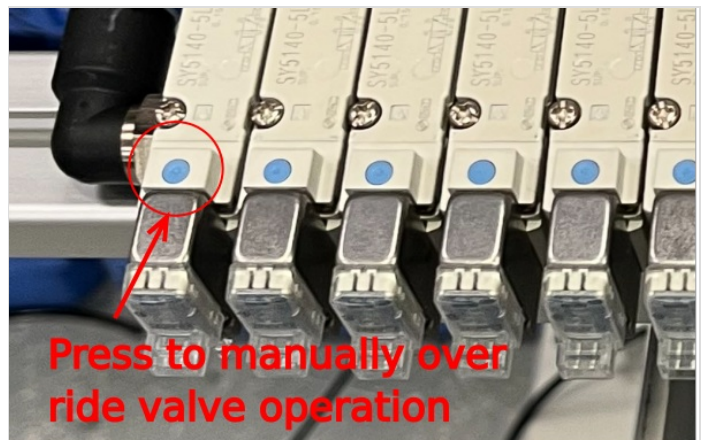


---

## Step 6 - Test valve bank outputs

Each valve on the Valve bank can be manually overridden to activate the output.

When each valve is fired, attention should be paid to identify any air leaks that occur when the active side of the system becomes live



## Step 7 - Test Y244 material load sensor blowers should be switched OFF

manually fire Y244.

Check that flow regulator is fitted in the correct orientation . Check this by holding the valve on over ride then adjust the thumb wheel fully clockwise until the air flow stops , then turn fully anti clockwise and air flow should reach maximum

If no adjustment is possible from thumb wheel, this means the flow regulator is fitted back to front

---

## Step 8 - Test Y125 Pop up C should be retracted

Manually overriding Y125 valve should make All pop up cylinders fire the piston into the active position

Check for air leaks in active position

---

## Step 9 - Test Y124 Roller beds should be lifted

Manually over ride Y124 and all roller beds should drop down from the lifted position. Investigate any air leaks in the activated position

Movement should be smooth , and even across all roller beds operating.

If movement is violent, check that process has been followed and all flow regs are set to 2 1/2 turns open from the fully closed position.

Report through ncr if this is the case

---

## Step 10 - Test Y126/Y127 Beam position

Manually override Y126/Y127 valve to move hepco drive beam into the active forward position

Investigate any air leaks when active

---

## Step 11 - Test Y122 Rack blower

manually fire Y122.

Check that flow regulator is fitted in the correct orientation . Check this by holding the valve on over ride then adjust the thumb wheel fully clockwise until the air flow stops , then turn fully anti clockwise and air flow should reach maximum

If no adjustment is possible from thumb wheel, this means the flow regulator is fitted back to front

---

## Step 12 - Y121 Gripper height

Manually fire Y121

With valve held in the over ridden state, adjust regulator next to gripper to increase pressure to 0.4 MPA and then reduce pressure to zero. This is to confirm regulator is fitted to the system correctly . If regulation is not possible, check piping as fault is evident .

Once happy with operation, set regulator pressure to 0.1 MPA

---

## Step 13 - Remove pcl connections

once testing is complete remove air coupling and associated cable/pipe management installed for testing

---