

Obsolescence Notice - Lenze Motors

Obsolescence notes for Lenze Motors

Contents

B0000350 ZX / Microline Infeed Table (2007 onwards)

B0000350 ZX / Microline Infeed Table (pre - 2007)

Saw Conveyor Motor

Ecoline Conveyor Motor

Comments

B0000350 ZX / Microline Infeed Table (2007 onwards)

A replacement has been sourced for the Lenze Motor used in this location on the 2007 version of the infeed table (Box section), which requires a new bracket to offset the difference in the foot mounting holes.

Order code R0019103

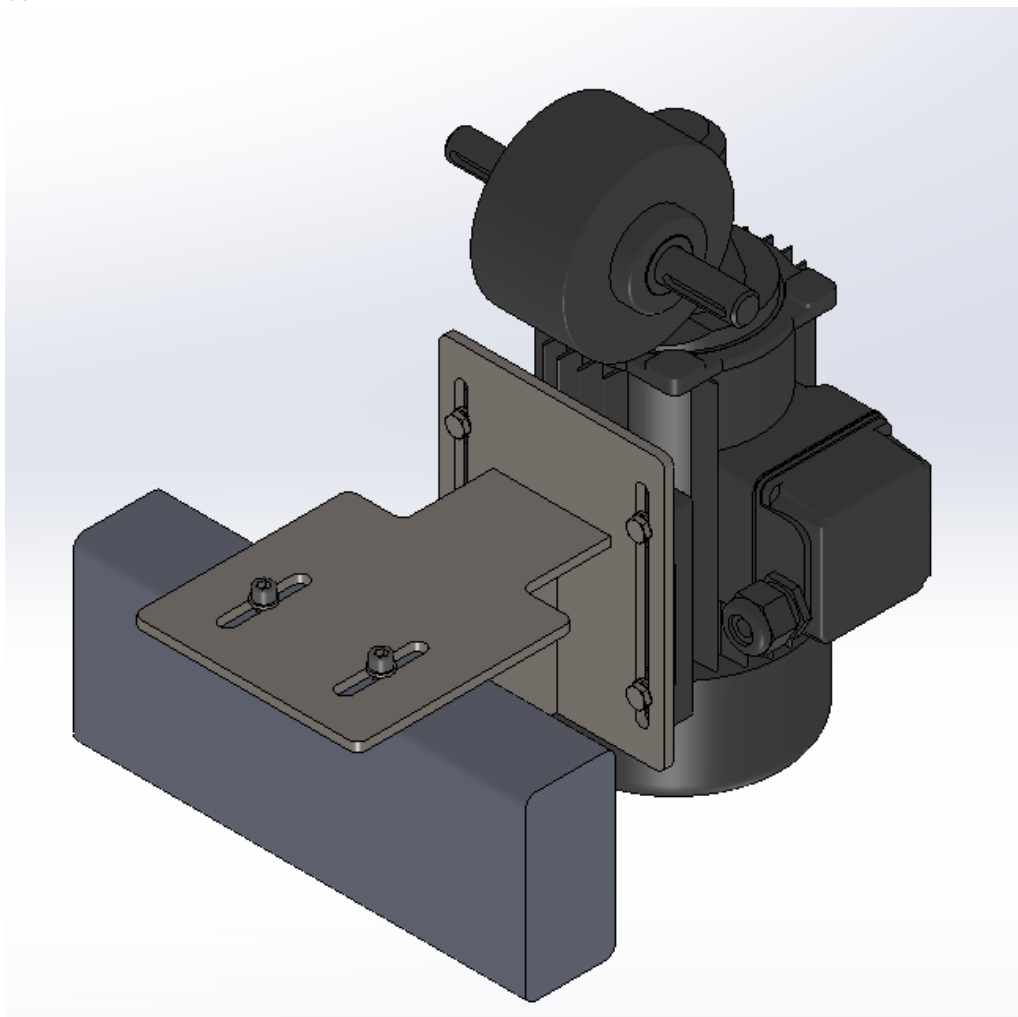
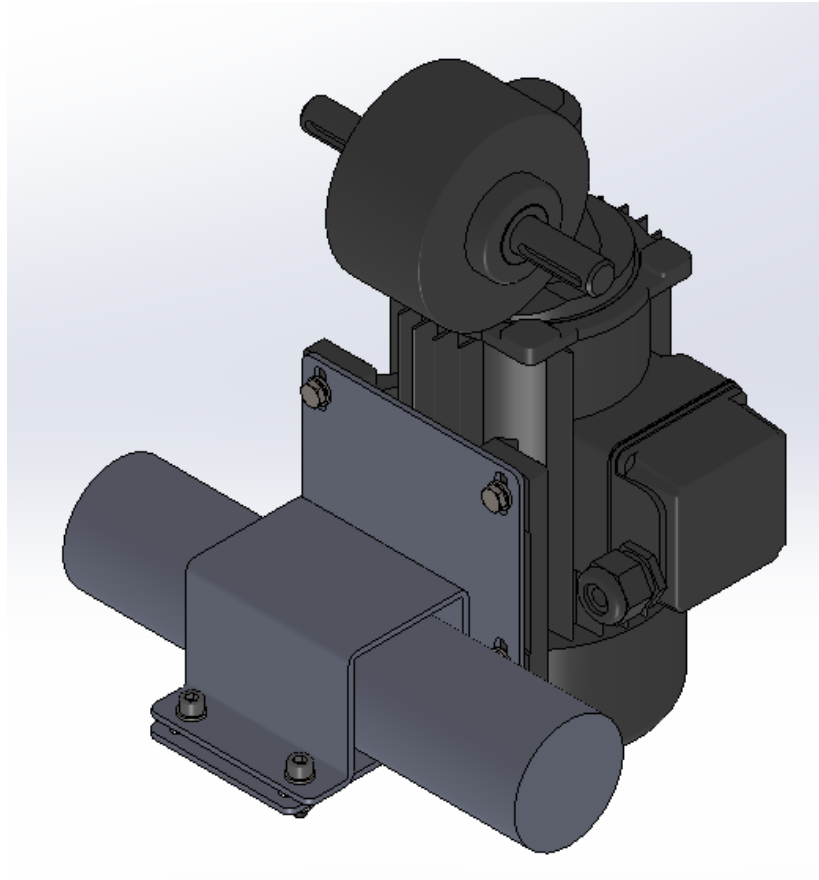


Image shows motor mounted with D0001272C, as part of R0019103.

B0000350 ZX / Microline Infeed Table (pre - 2007)

A replacement has been sourced for the Lenze Motor used in this location on the pre-2007 version of the infeed table (Tube section), which requires 2 new brackets to clamp around the tube.

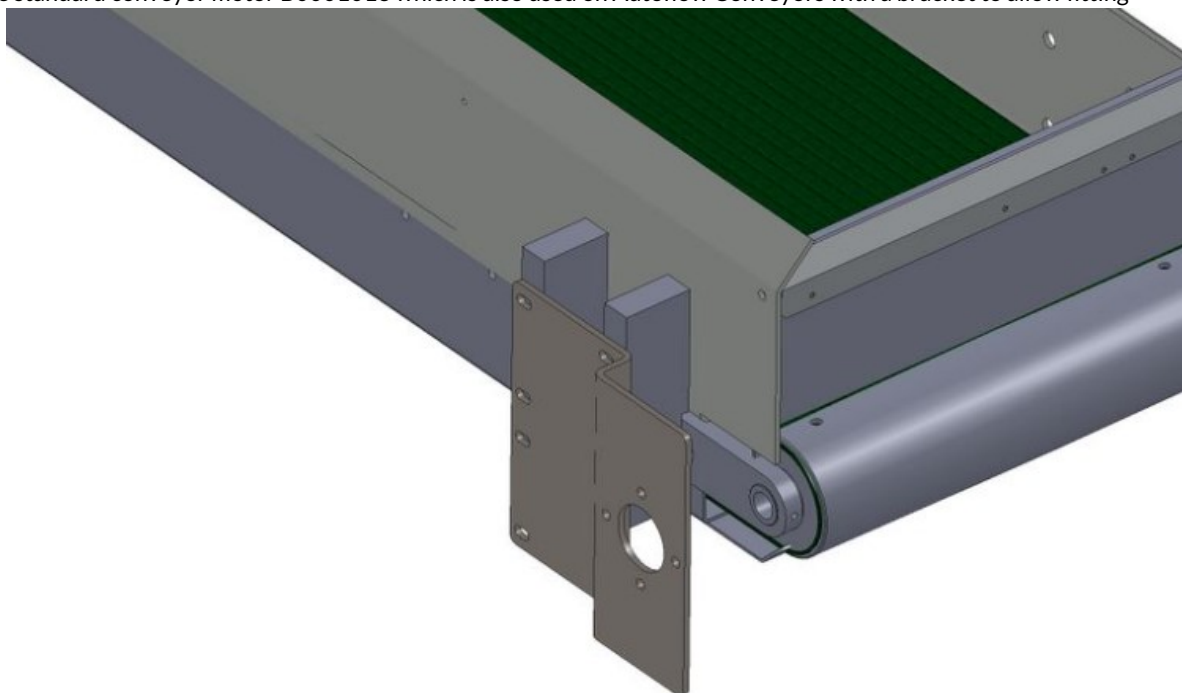
Order code R0019103



Saw Conveyor Motor

Use R0019083 Upgrade: Conveyor Motor

This uses the standard conveyor motor B0001013 which is also used on Autoflow Conveyors with a bracket to allow fitting



See Upgrade - R0000173 Conveyor Motor

Ecoline Conveyor Motor

Use R0019163 Upgrade: Ecoline Conveyor Motor

This uses the standard conveyor motor B0001013 which is also used on Autoflow Conveyors