

OBSOLETE Upgrade - ZX5 Energy Chain - Both Sides

Upgrading the Igus Energy Chain, Brackets and Trays

 Difficulty Easy

 Duration 0 minute(s)

Contents

Step 1 - Remove existing energy chain and brackets

Step 2 - Remove trays

Step 3 - Remove tray mounting brackets from posts

Step 4 - Add new tray mounting brackets

Step 5 - Mount trays

Step 6 - Mount the Energy Chain Brackets

Step 7 - Mount energy chain

Step 8 - Run cables and pipework up the chain

Step 9 - Test for full functionality

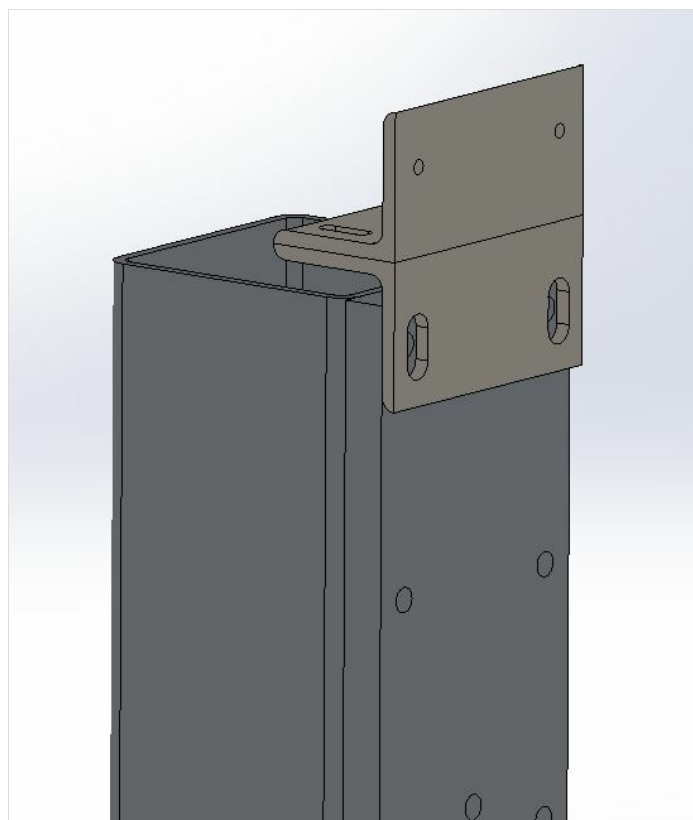
Comments

Step 1 - Remove existing energy chain and brackets

Step 2 - Remove trays

Step 3 - Remove tray mounting brackets from posts

Step 4 - Add new tray mounting brackets



Step 5 - Mount trays

Mount trays as per attached drawings:

R0015028C - MC Outfeed

R0015029C - Saw Infeed

Fichier:MC Out.pdf

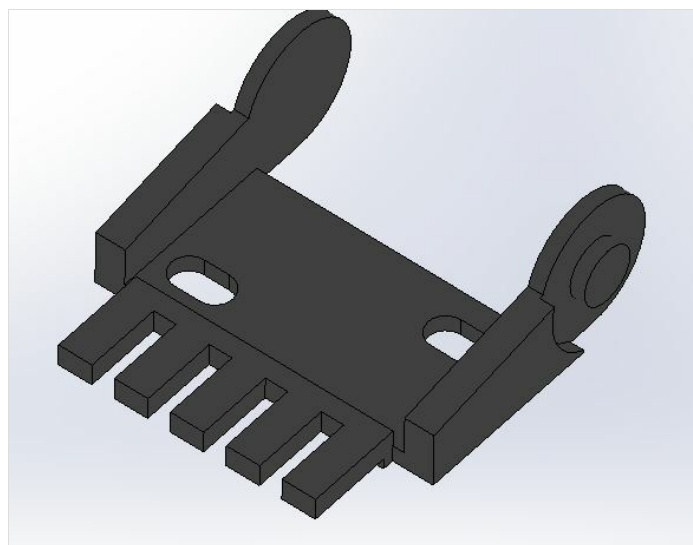
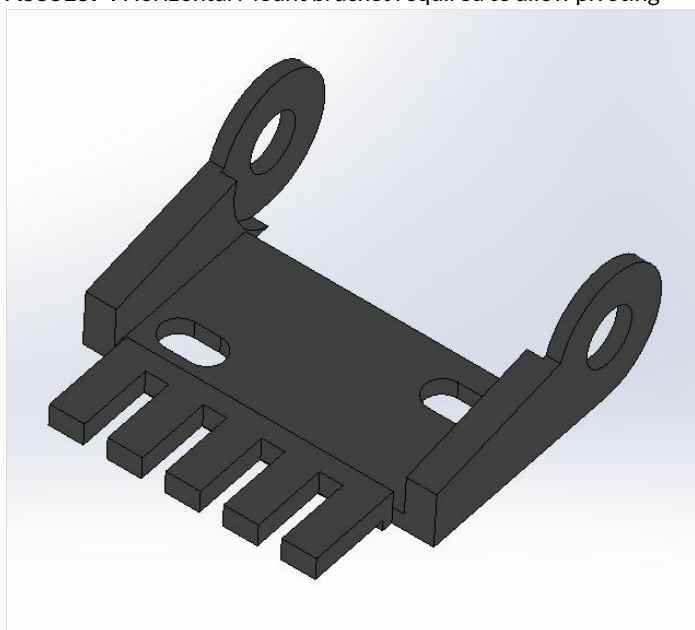
Fichier:Saw In.pdf

Step 6 - Mount the Energy Chain Brackets

IMPORTANT

Check brackets visually to ensure they correct

A0001074 Horizontal Mount bracket required to allow pivoting



Step 7 - Mount energy chain

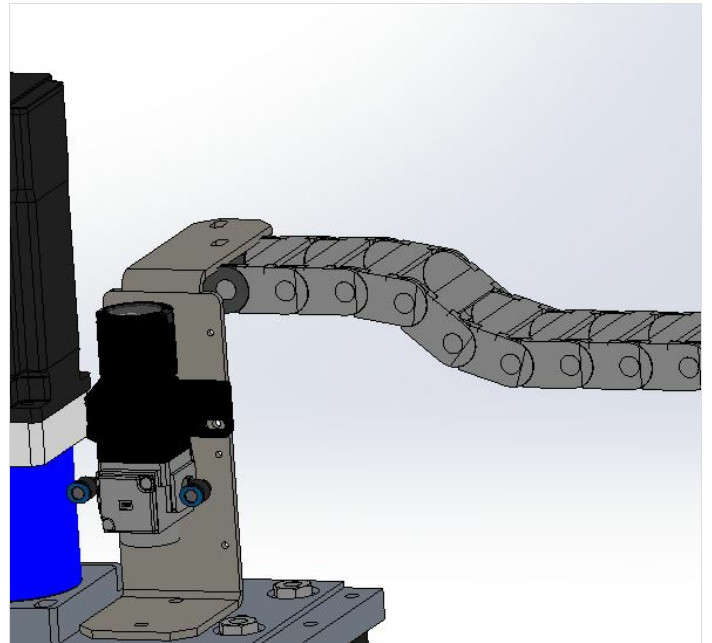
Ensure you have the correct number of chain links:

MC Outfeed - 177 links

Saw Infeed - 147 links

Openable on outside diameter.

Last xxx number of links next to the carriage (on both sides of machine) need to be reversed so that the chain can bend backwards (see image)



Step 8 - Run cables and pipework up the chain

Step 9 - Test for full functionality
