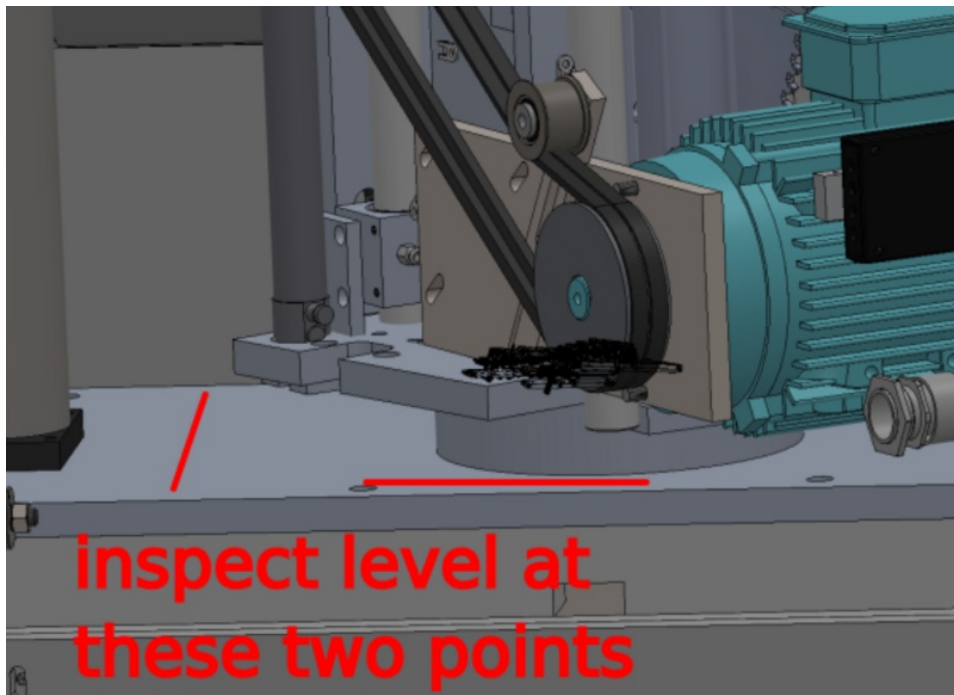


# Fichier:ZX5 Production R0015040 Module F to R0015001B Module E alignment Screenshot 2023-12-20 132815.png




Size of this preview:800 × 583 pixels

Original file (829 × 604 pixels, file size: 244 KB, MIME type: image/png)

ZX5\_Production\_R0015040\_Module\_F\_to\_R0015001B\_Module\_E\_alignment\_Screenshot\_2023-12-20\_132815

## File history

Click on a date/time to view the file as it appeared at that time.

	Date/Time	Thumbnail	Dimensions	User	Comment
current	14:28, 20 December 2023		829 × 604 (244 KB)	Gareth Green (talk   contribs)	ZX5_Production_R0015040_Module_F_to_R0015001B_Module_E_alignment_Screenshot_2023-12-20_132815

You cannot overwrite this file.

## File usage

The following page links to this file:

ZX5 Production R0015040 Module F to R0015001B Module E alignment

## Metadata

This file contains additional information, probably added from the digital camera or scanner used to create or digitize it. If the file has been modified from its original state, some details may not fully reflect the modified file.

Horizontal resolution	37.79 dpc
Vertical resolution	37.79 dpc