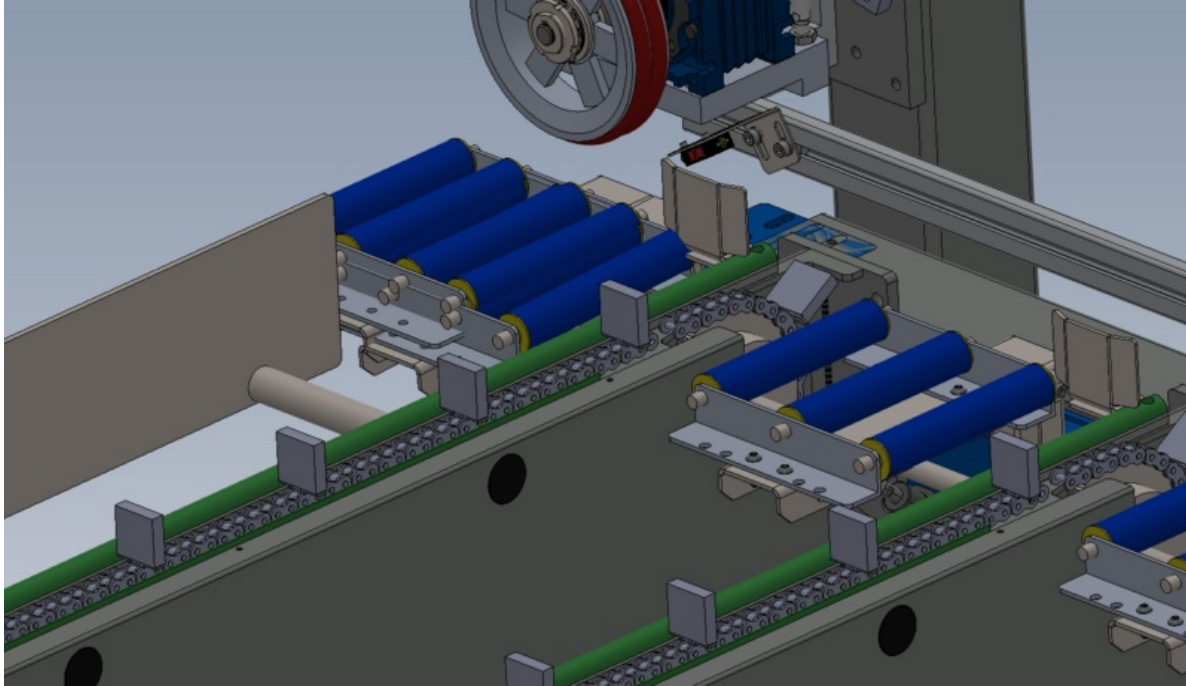


Fichier:ZX5 Installation Procedure 2023 Part 2 Screenshot 2023-12-06 094211.png



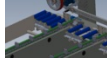
Size of this preview:800 × 461 pixels.

Original file (1,440 × 830 pixels, file size: 289 KB, MIME type: image/png)

ZX5_Installation_Procedure_2023_Part_2_Screenshot_2023-12-06_094211

File history

Click on a date/time to view the file as it appeared at that time.

| | Date/Time | Thumbnail | Dimensions | User | Comment |
|---------|--|---|-------------------------|-----------------------------------|---|
| current | 11:43, 6 December 2023 |  | 1,440 × 830 (289 KB) | Gareth Green (talk contribs) | ZX5_Installation_Procedure_2023_Part_2_Screenshot_2023-12-06_094211 |

You cannot overwrite this file.

File usage

The following page links to this file:

ZX5 Installation Procedure 2023 Part 2

Metadata

This file contains additional information, probably added from the digital camera or scanner used to create or digitize it. If the file has been modified from its original state, some details may not fully reflect the modified file.

| | |
|-----------------------|-----------|
| Horizontal resolution | 37.79 dpc |
| Vertical resolution | 37.79 dpc |