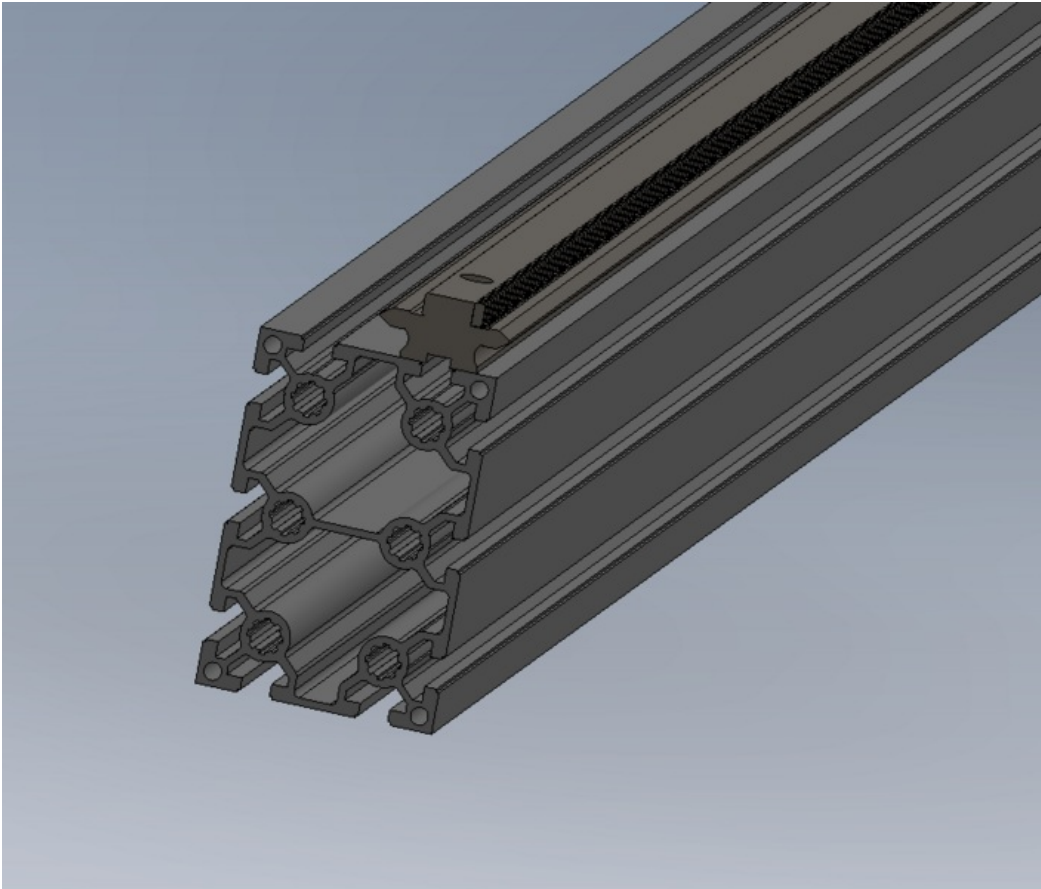


# Fichier:ZX5 - ZX3 Hepco alignment Module E Saw Infeed Screenshot 2023-04-20 091842.png



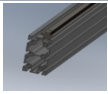
Size of this preview: 709 × 600 pixels.

Original file (876 × 741 pixels, file size: 80 KB, MIME type: image/png)

ZX5\_-\_ZX3\_Hepco\_alignment\_Module\_E\_Saw\_Infeed\_Screenshot\_2023-04-20\_091842

## File history

Click on a date/time to view the file as it appeared at that time.

	Date/Time	Thumbnail	Dimensions	User	Comment
current	<a href="#">09:19, 20 April 2023</a>		876 × 741 (80 KB)	Gareth Green (talk   contribs)	ZX5_-_ZX3_Hepco_alignment_Module_E_Saw_Infeed_Screenshot_2023-04-20_091842

You cannot overwrite this file.

## File usage

The following page links to this file:

ZX5 - ZX3 Hepco alignment Module E Saw Infeed

## Metadata

This file contains additional information, probably added from the digital camera or scanner used to create or digitize it. If the file has been modified from its original state, some details may not fully reflect the modified file.

Horizontal resolution	37.79 dpc
Vertical resolution	37.79 dpc