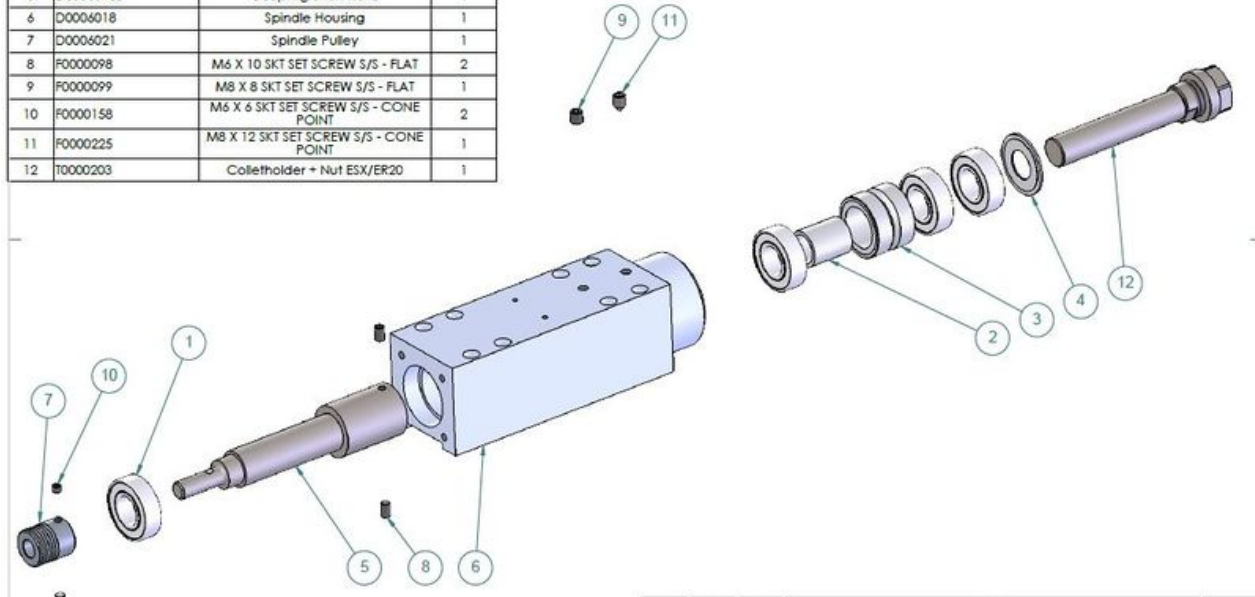


Fichier:Upgrade - MH Spindles for Flowline Spindle exploded.jpg

ITEM NO.	PART NUMBER	DESCRIPTION	QTY.
1	80000121	Ball Bearing 20 I/D 42 O/D 12 long + shields	4
2	D0006009	Spindle Inner Spacer	1
3	D0006010	Spindle Outer Spacer	1
4	D0006015	Bearing Cover Washer	1
5	D00060168	Coupling Shaft RevB	1
6	D0006018	Spindle Housing	1
7	D0006021	Spindle Pulley	1
8	F0000098	M6 X 10 SKT SET SCREW S/S - FLAT	2
9	F0000099	M8 X 8 SKT SET SCREW S/S - FLAT	1
10	F0000158	M6 X 6 SKT SET SCREW S/S - CONE POINT	2
11	F0000225	M8 X 12 SKT SET SCREW S/S - CONE POINT	1
12	T0000203	Colletholder + Nut ESX/ER20	1



Size of this preview:800 × 480 pixels.

Original file (1,059 × 636 pixels, file size: 89 KB, MIME type: image/jpeg)

File history

Click on a date/time to view the file as it appeared at that time.

	Date/Time	Thumbnail	Dimensions	User	Comment
current	12:44, 26 June 2020		1,059 × 636 (89 KB)	Gareth Green (talk contribs)	

You cannot overwrite this file.

File usage

The following page links to this file:

Upgrade - MH Spindles for Flowline

Metadata

This file contains additional information, probably added from the digital camera or scanner used to create or digitize it. If the file has been modified from its original state, some details may not fully reflect the modified file.

Author	Max Hamlet
Date and time of data generation	11:42, 26 June 2020
Date and time of digitizing	11:42, 26 June 2020
DateTimeOriginal subseconds	60
DateTimeDigitized subseconds	60