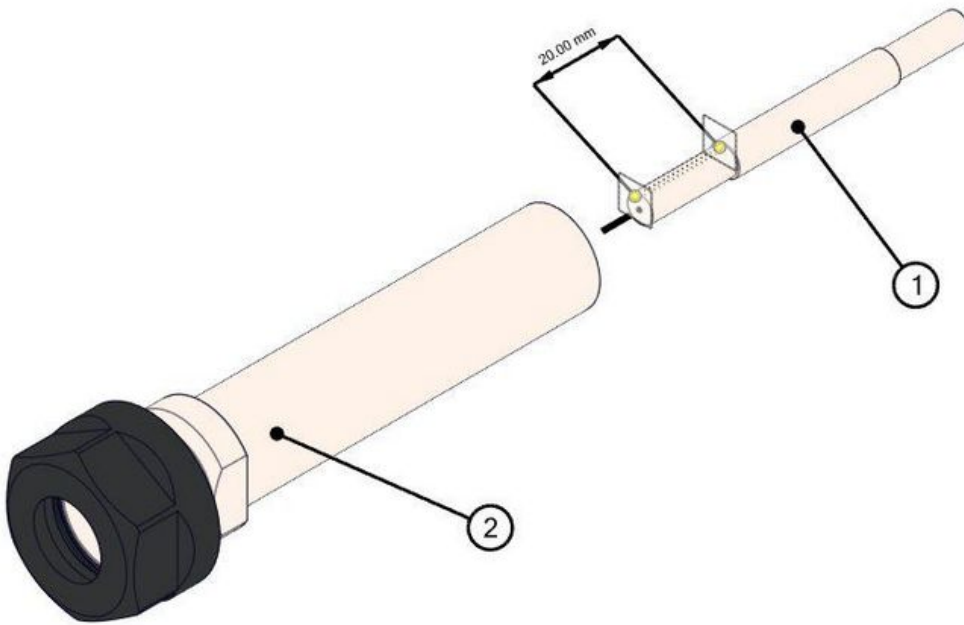


Fichier:TB0412 MH Spindle Collet Shaft Replacement 0412 01.jpg



Item	PartNo	Description	Qty
1	D0010970	Collet Shaft Adapter	1
2	D0006011B	Multihead Spindle + Nut	1


Size of this preview: 744 × 599 pixels.

Original file (833 × 671 pixels, file size: 28 KB, MIME type: image/jpeg)

TB0412_MH_Spindle_Collet_Shaft_Replacement_0412_01

File history

Click on a date/time to view the file as it appeared at that time.

	Date/Time	Thumbnail	Dimensions	User	Comment
current	11:59, 29 February 2020		833 × 671 (28 KB)	Gareth Green (talk contribs)	TB0412_MH_Spindle_Collet_Shaft_Replacement_0412_01

You cannot overwrite this file.

File usage

The following page links to this file:

TB0412 MH Spindle Collet Shaft Replacement