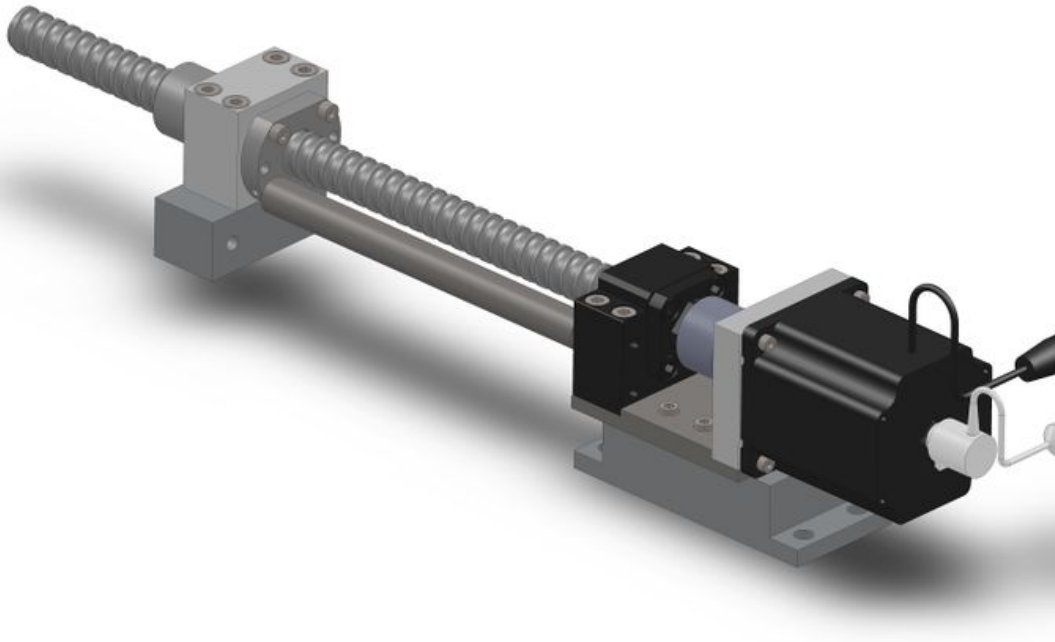


Fichier:TB0301 Autoflow Saw Head Reinforcement - Additional Enhancements 03015.jpg




Size of this preview:800 × 566 pixels.

Original file (7,015 × 4,960 pixels, file size: 592 KB, MIME type: image/jpeg)

TB0301_Autoflow_Saw_Head_Reinforcement_-_Additional_Enhancements_03015

File history

Click on a date/time to view the file as it appeared at that time.

| | Date/Time | Thumbnail | Dimensions | User | Comment |
|---------|----------------------|---|---------------------------|-----------------------------------|--|
| current | 11:32, 20 March 2020 |  | 7,015 × 4,960 (592 KB) | Gareth Green (talk contribs) | TB0301_Autoflow_Saw_Head_Reinforcement_-_Additional_Enhancements_03015 |

You cannot overwrite this file.

File usage

The following 2 files are duplicates of this file (more details):

Fichier:TB0301 Autoflow Saw Head Reinforcement - Additional Enhancements 03013.jpg

Fichier:TB0301 Autoflow Saw Head Reinforcement - Additional Enhancements 03014.jpg

There are no pages that link to this file.