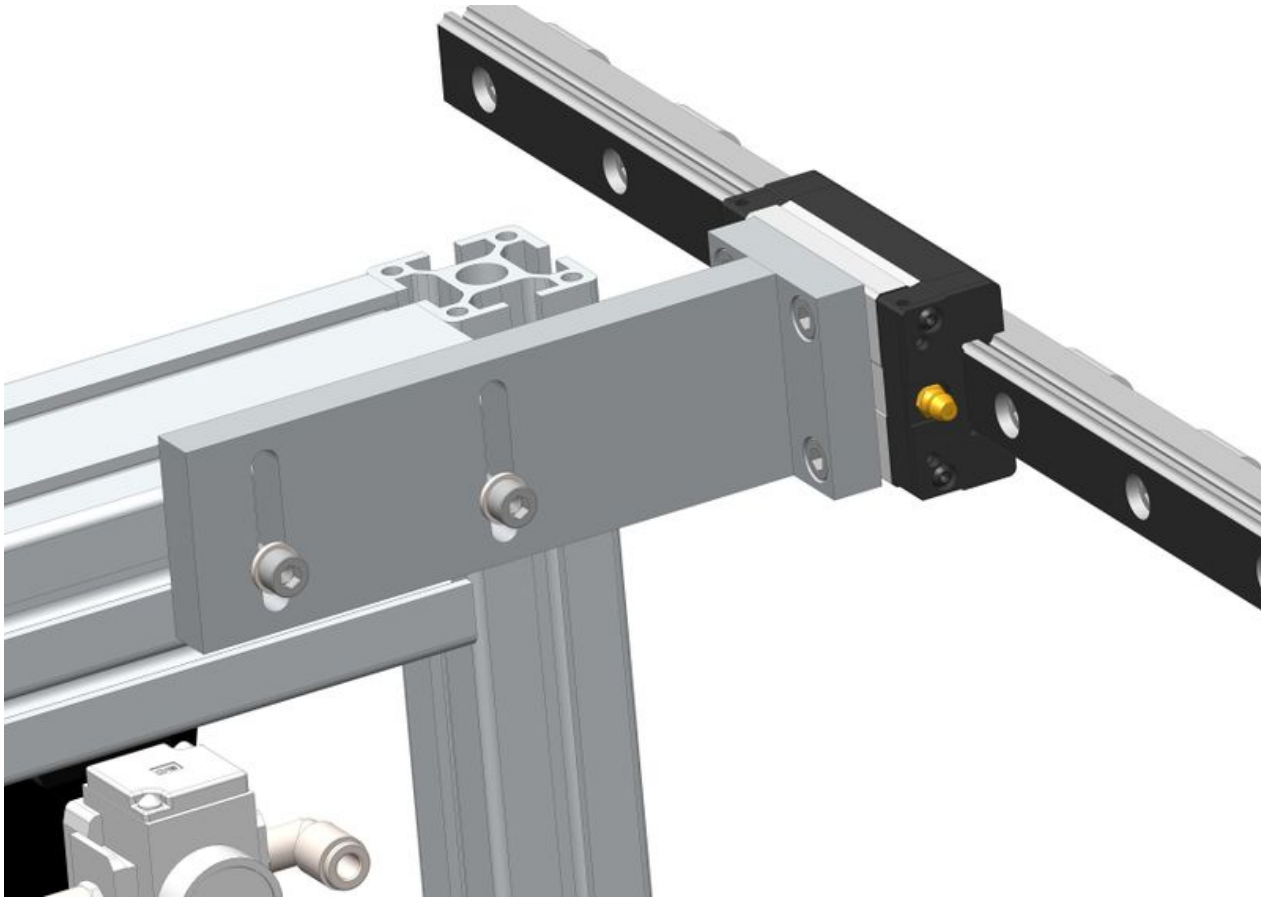


# Fichier:TB0301 Autoflow Saw Head Reinforcement - Additional Enhancements 03012.jpg




Size of this preview:800 × 566 pixels.

Original file (7,015 × 4,960 pixels, file size: 928 KB, MIME type: image/jpeg)

TB0301\_Autoflow\_Saw\_Head\_Reinforcement\_-\_Additional\_Enhancements\_03012

## File history

Click on a date/time to view the file as it appeared at that time.

	Date/Time	Thumbnail	Dimensions	User	Comment
current	11:32, 20 March 2020		7,015 × 4,960 (928 KB)	Gareth Green (talk   contribs)	TB0301_Autoflow_Saw_Head_Reinforcement_-_Additional_Enhancements_03012

You cannot overwrite this file.

## File usage

The following page links to this file:

TB0301 Autoflow Saw Head Reinforcement - Additional Enhancements