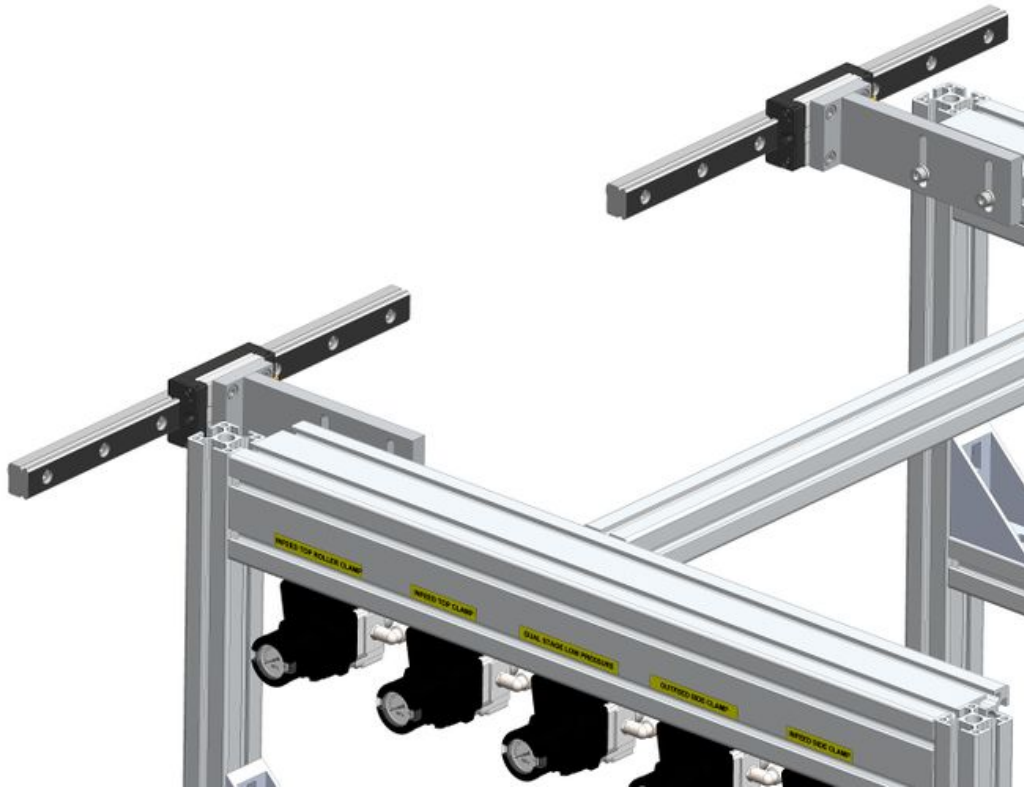


Fichier:TB0301 Autoflow Saw Head Reinforcement - Additional Enhancements 03011.jpg




Size of this preview: 800 × 566 pixels.

Original file (7,015 × 4,960 pixels, file size: 1.22 MB, MIME type: image/jpeg)

TB0301_Autoflow_Saw_Head_Reinforcement_-_Additional_Enhancements_03011

File history

Click on a date/time to view the file as it appeared at that time.

	Date/Time	Thumbnail	Dimensions	User	Comment
current	11:30, 20 March 2020		7,015 × 4,960 (1.22 MB)	Gareth Green (talk contribs)	TB0301_Autoflow_Saw_Head_Reinforcement_-_Additional_Enhancements_03011

You cannot overwrite this file.

File usage

The following page links to this file:

TB0301 Autoflow Saw Head Reinforcement - Additional Enhancements