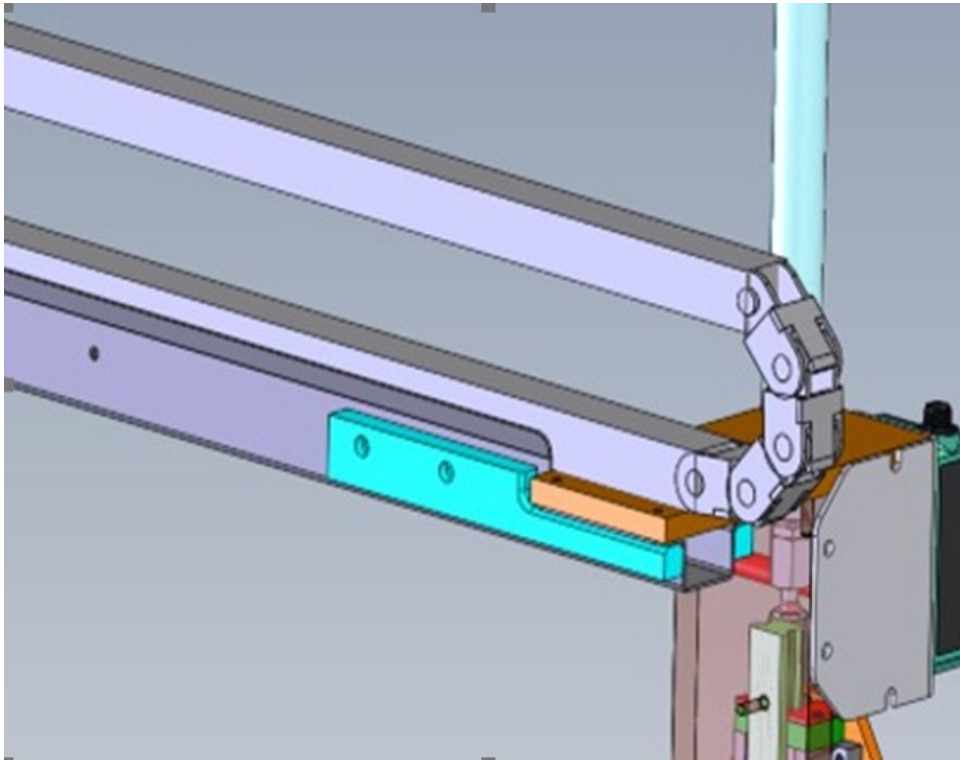


Fichier:Reinforcing Forward Clamp Energy Chain System 2.png

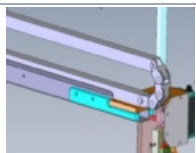


No higher resolution available.

Reinforcing_Forward_Clamp_Energy_Chain_System_2.png (612 × 481 pixels, file size: 251 KB, MIME type: image/png)

File history

Click on a date/time to view the file as it appeared at that time.

	Date/Time	Thumbnail	Dimensions	User	Comment
current	12:46, 27 October 2023		612 × 481 (251 KB)	Gareth Green (talk contribs)	

You cannot overwrite this file.

File usage

The following page links to this file:

Stuertz Infeed - Reinforcing Forward Clamp Energy Chain System

Metadata

This file contains additional information, probably added from the digital camera or scanner used to create or digitize it. If the file has been modified from its original state, some details may not fully reflect the modified file.

Horizontal resolution	37.79 dpc
Vertical resolution	37.79 dpc