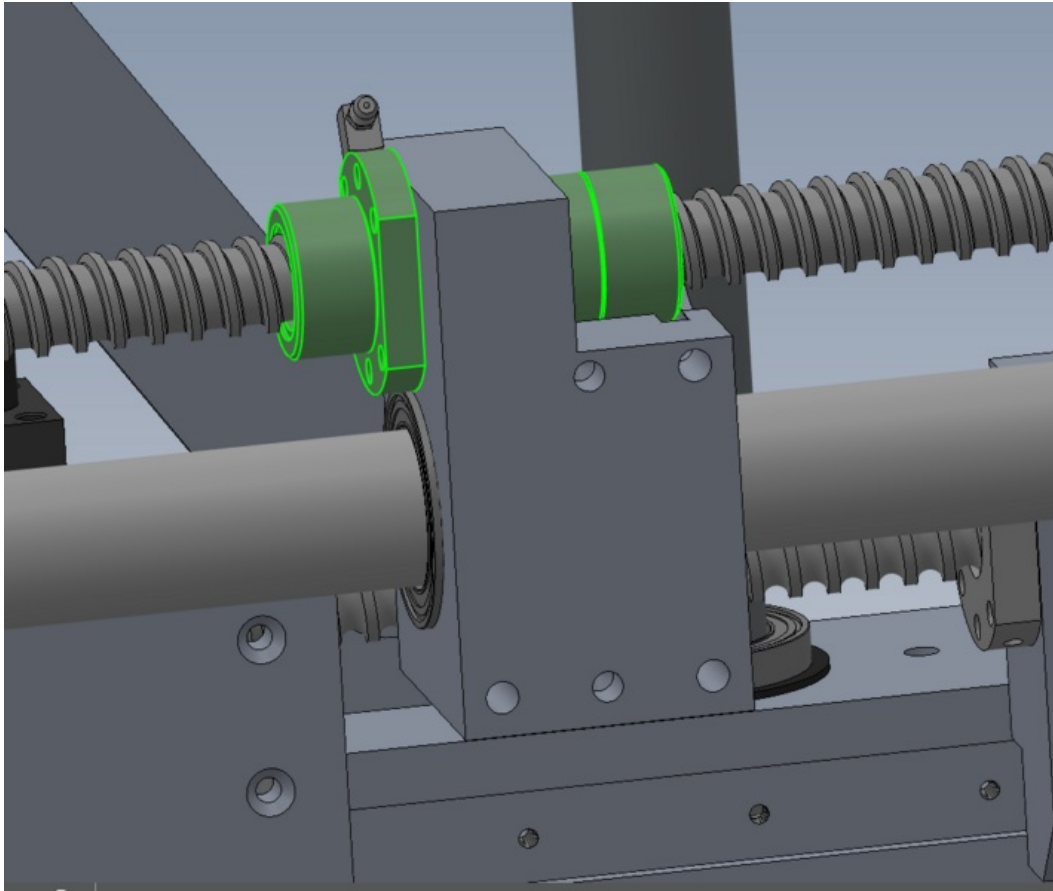


Fichier:R0015315 Fit Y Axis Drive components Screenshot 2023-11-01 133950.png



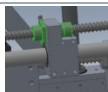
Size of this preview:712 × 599 pixels.

Original file (1,023 × 861 pixels, file size: 123 KB, MIME type: image/png)

R0015315_Fit_Y_Axis_Drive_components_Screenshot_2023-11-01_133950

File history

Click on a date/time to view the file as it appeared at that time.

	Date/Time	Thumbnail	Dimensions	User	Comment
current	15:40, 1 November 2023		1,023 × 861 (123 KB)	Gareth Green (talk contribs)	R0015315_Fit_Y_Axis_Drive_components_Screenshot_2023-11-01_133950

You cannot overwrite this file.

File usage

The following 2 pages link to this file:

R0015315 Fit Y Axis Drive components

R0015317 Install Rotary Ring

Metadata

This file contains additional information, probably added from the digital camera or scanner used to create or digitize it. If the file has been modified from its original state, some details may not fully reflect the modified file.

Horizontal resolution	37.79 dpc
Vertical resolution	37.79 dpc