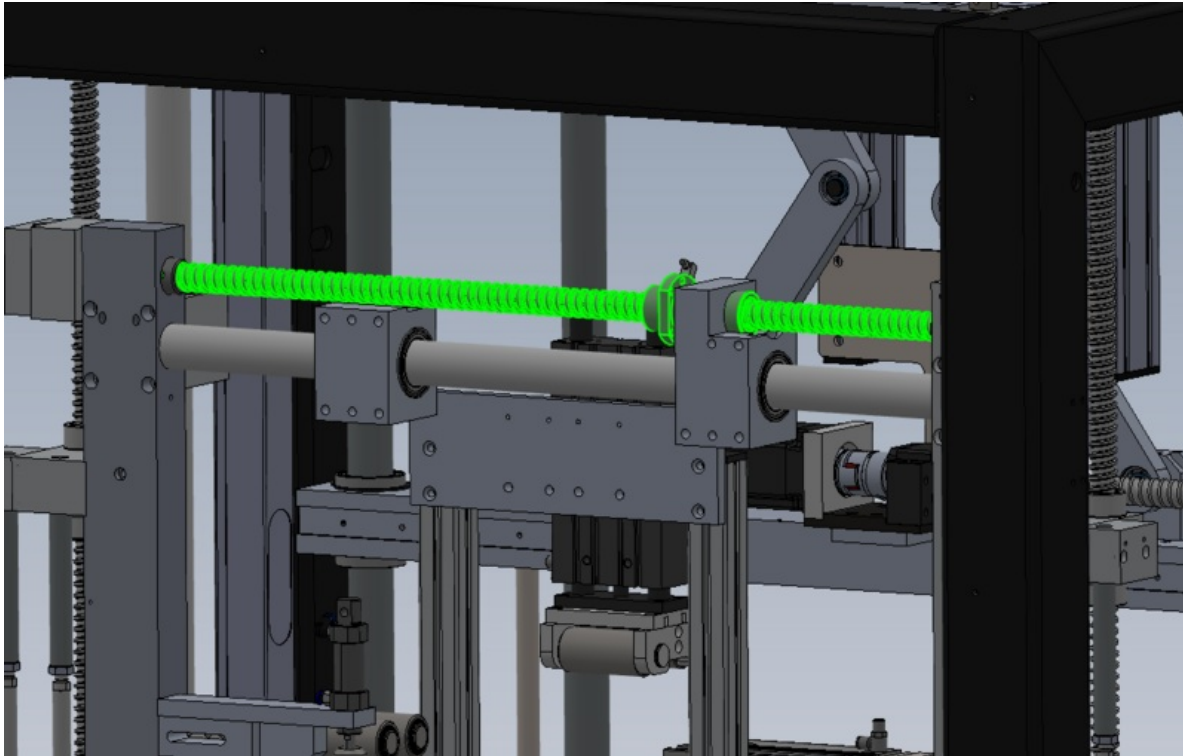


Fichier:R0015315 Fit Y Axis Drive components Screenshot 2023-11-01 133842.png




Size of this preview:800 × 508 pixels.

Original file (1,079 × 685 pixels, file size: 126 KB, MIME type: image/png)

R0015315_Fit_Y_Axis_Drive_components_Screenshot_2023-11-01_133842

File history

Click on a date/time to view the file as it appeared at that time.

	Date/Time	Thumbnail	Dimensions	User	Comment
current	15:38, 1 November 2023		1,079 × 685 (126 KB)	Gareth Green (talk contribs)	R0015315_Fit_Y_Axis_Drive_components_Screenshot_2023-11-01_133842

You cannot overwrite this file.

File usage

The following page links to this file:

R0015315 Fit Y Axis Drive components

Metadata

This file contains additional information, probably added from the digital camera or scanner used to create or digitize it. If the file has been modified from its original state, some details may not fully reflect the modified file.

Horizontal resolution	37.79 dpc
Vertical resolution	37.79 dpc