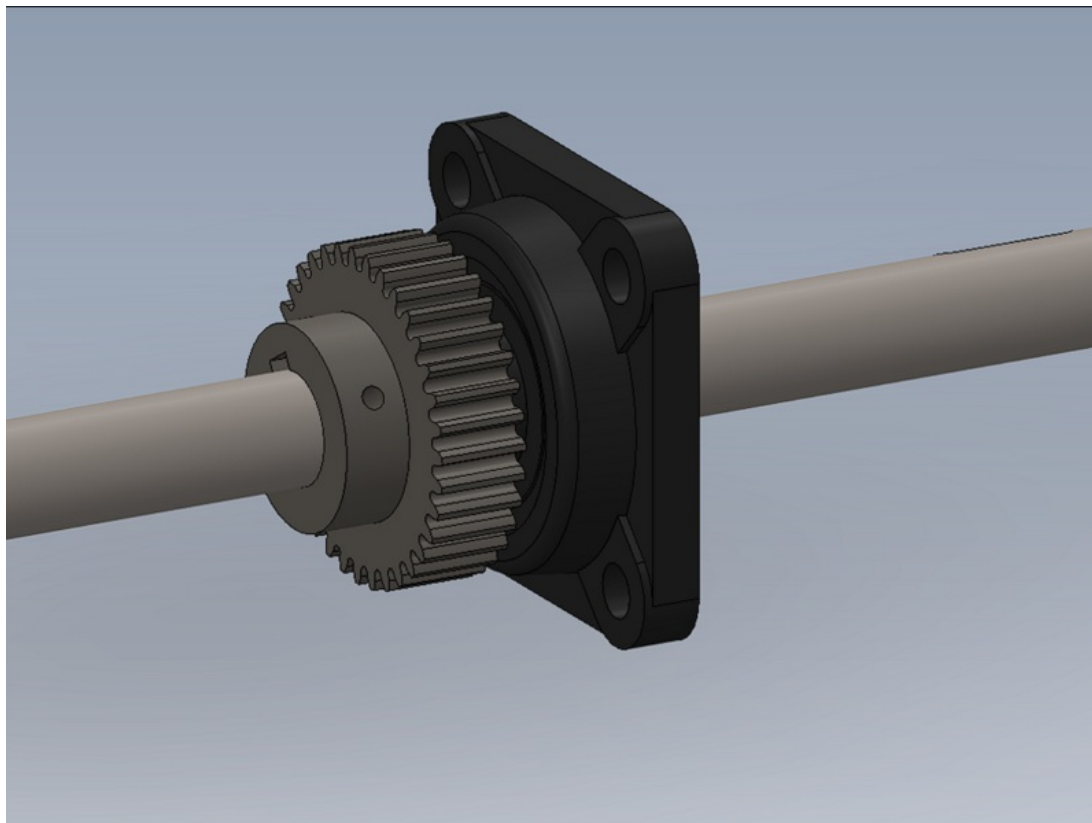


# Fichier:R0015287 Bench Assemble Shafts Bearings and Pinions Screenshot 2023-07-14 124844.png




Size of this preview: 799 × 599 pixels.

Original file (997 × 748 pixels, file size: 266 KB, MIME type: image/png)

R0015287\_Bench\_Assemble\_Shafts\_\_Bearings\_and\_Pinions\_Screenshot\_2023-07-14\_124844

## File history

Click on a date/time to view the file as it appeared at that time.

	Date/Time	Thumbnail	Dimensions	User	Comment
current	13:48, 14 July 2023		997 × 748 (266 KB)	Gareth Green (talk   contribs)	R0015287_Bench_Assemble_Shafts__Bearings_and_Pinions_Screenshot_2023-07-14_124844

You cannot overwrite this file.

## File usage

The following page links to this file:

R0015287 Bench Assemble Shafts, Bearings and Pinions

## Metadata

This file contains additional information, probably added from the digital camera or scanner used to create or digitize it. If the file has been modified from its original state, some details may not fully reflect the modified file.

Horizontal resolution	37.79 dpc
Vertical resolution	37.79 dpc