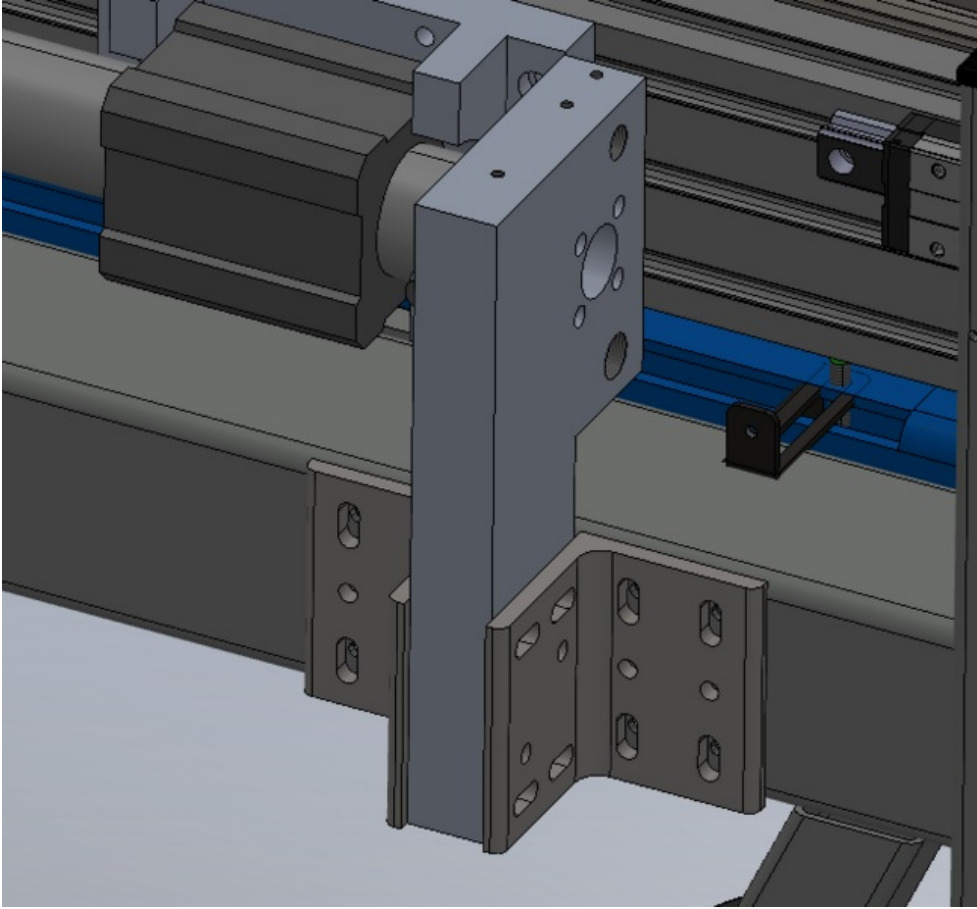


# Fichier:R0015246 Fit Hepco Drive Beam Cylinder Screenshot 2023-07-12 121708.png



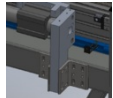
Size of this preview: 650 × 600 pixels.

Original file (670 × 618 pixels, file size: 60 KB, MIME type: image/png)

R0015246\_Fit\_Hepco\_Drive\_Beam\_Cylinder\_Screenshot\_2023-07-12\_121708

## File history

Click on a date/time to view the file as it appeared at that time.

|         | Date/Time           | Thumbnail   | Dimensions           | User                              | Comment   |
|---------|---------------------|---|----------------------|-----------------------------------|---|
| current | 13:17, 12 July 2023 |  | 670 × 618<br>(60 KB) | Gareth Green<br>(talk   contribs) | R0015246_Fit_Hepco_Drive_Beam_Cylinder_Screenshot_2023-07-12_121708 |

You cannot overwrite this file.

## File usage

The following page links to this file:

R0015246 Fit Hepco Drive Beam Cylinder

## Metadata

This file contains additional information, probably added from the digital camera or scanner used to create or digitize it. If the file has been modified from its original state, some details may not fully reflect the modified file.

|                       |           |
|-----------------------|-----------|
| Horizontal resolution | 37.79 dpc |
| Vertical resolution   | 37.79 dpc |