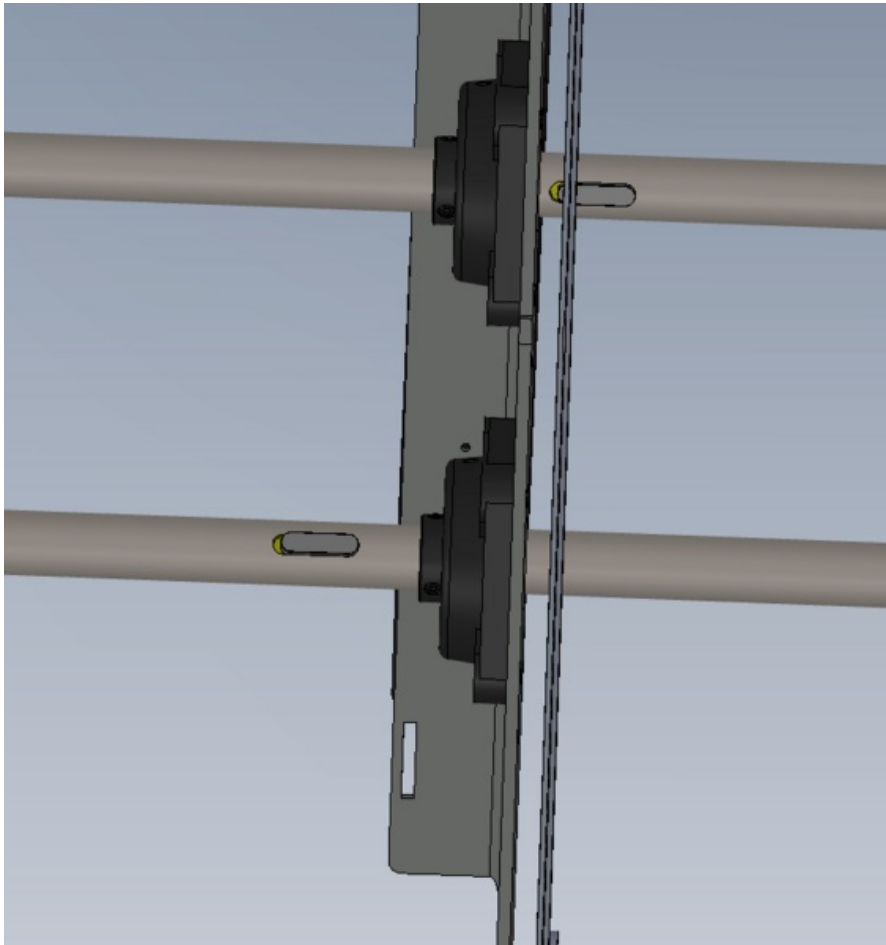


Fichier:R0015094 Fit shafts and Pinions Screenshot 2023-06-14 103617.png




Size of this preview: 566 × 599 pixels.

Original file (717 × 759 pixels, file size: 56 KB, MIME type: image/png)

R0015094_Fit_shafts_and_Pinions_Screenshot_2023-06-14_103617

File history

Click on a date/time to view the file as it appeared at that time.

	Date/Time	Thumbnail	Dimensions	User	Comment
current	11:37, 14 June 2023		717 × 759 (56 KB)	Gareth Green (talk contribs)	R0015094_Fit_shafts_and_Pinions_Screenshot_2023-06-14_103617

You cannot overwrite this file.

File usage

The following page links to this file:

R0015094 Fit shafts and Pinions

Metadata

This file contains additional information, probably added from the digital camera or scanner used to create or digitize it. If the file has been modified from its original state, some details may not fully reflect the modified file.

Horizontal resolution	37.79 dpc
Vertical resolution	37.79 dpc

