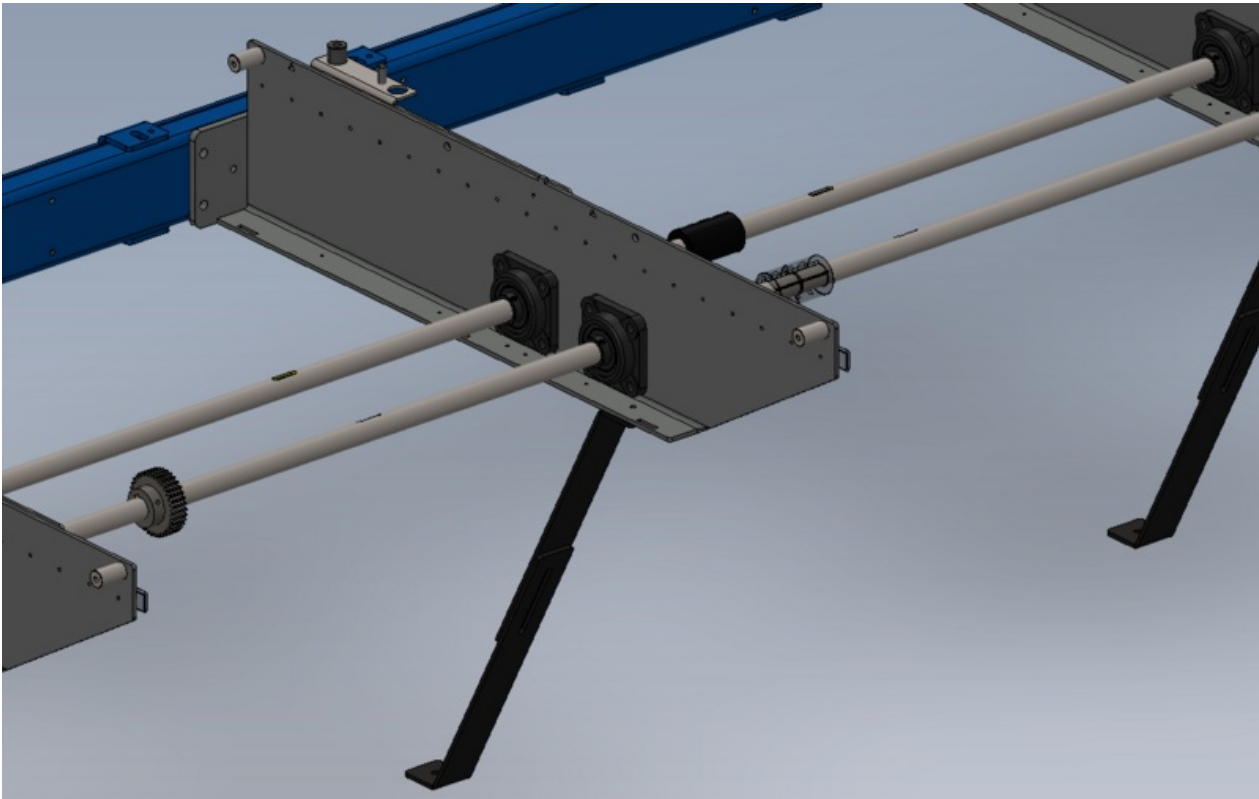


Fichier:R0015094 Fit shafts and Pinions Screenshot 2023-06-14 092106.png




Size of this preview: 800 × 505 pixels.

Original file (1,132 × 715 pixels, file size: 158 KB, MIME type: image/png)

R0015094_Fit_shafts_and_Pinions_Screenshot_2023-06-14_092106

File history

Click on a date/time to view the file as it appeared at that time.

	Date/Time	Thumbnail	Dimensions	User	Comment
current	10:21, 14 June 2023		1,132 × 715 (158 KB)	Gareth Green (talk contribs)	R0015094_Fit_shafts_and_Pinions_Screenshot_2023-06-14_092106

You cannot overwrite this file.

File usage

The following page links to this file:

R0015094 Fit shafts and Pinions

Metadata

This file contains additional information, probably added from the digital camera or scanner used to create or digitize it. If the file has been modified from its original state, some details may not fully reflect the modified file.

Horizontal resolution	37.79 dpc
Vertical resolution	37.79 dpc