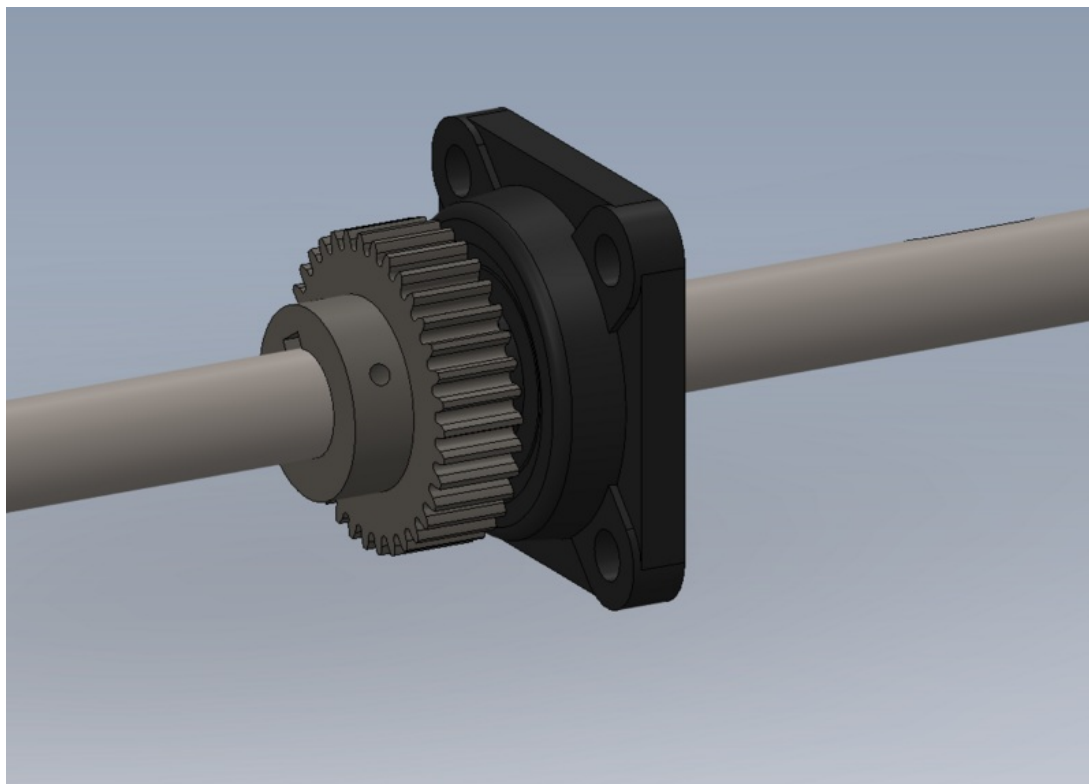


# Fichier:R0015094 Bench Assemble shafts Bearings and Pinions Screenshot 2023-06-12 094818.png



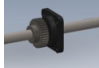
Size of this preview:800 × 571 pixels.

Original file (1,081 × 772 pixels, file size: 108 KB, MIME type: image/png)

R0015094\_Bench\_Assemble\_shafts\_Bearings\_and\_Pinions\_Screenshot\_2023-06-12\_094818

## File history

Click on a date/time to view the file as it appeared at that time.

	Date/Time	Thumbnail	Dimensions	User	Comment
current	10:48, 12 June 2023		1,081 × 772 (108 KB)	Gareth Green (talk   contribs)	R0015094_Bench_Assemble_shafts_Bearings_and_Pinions_Screenshot_2023-06-12_094818

You cannot overwrite this file.

## File usage

The following page links to this file:

R0015254 Bench Assemble shafts, Bearings and Pinions

## Metadata

This file contains additional information, probably added from the digital camera or scanner used to create or digitize it. If the file has been modified from its original state, some details may not fully reflect the modified file.

Horizontal resolution	37.79 dpc
Vertical resolution	37.79 dpc