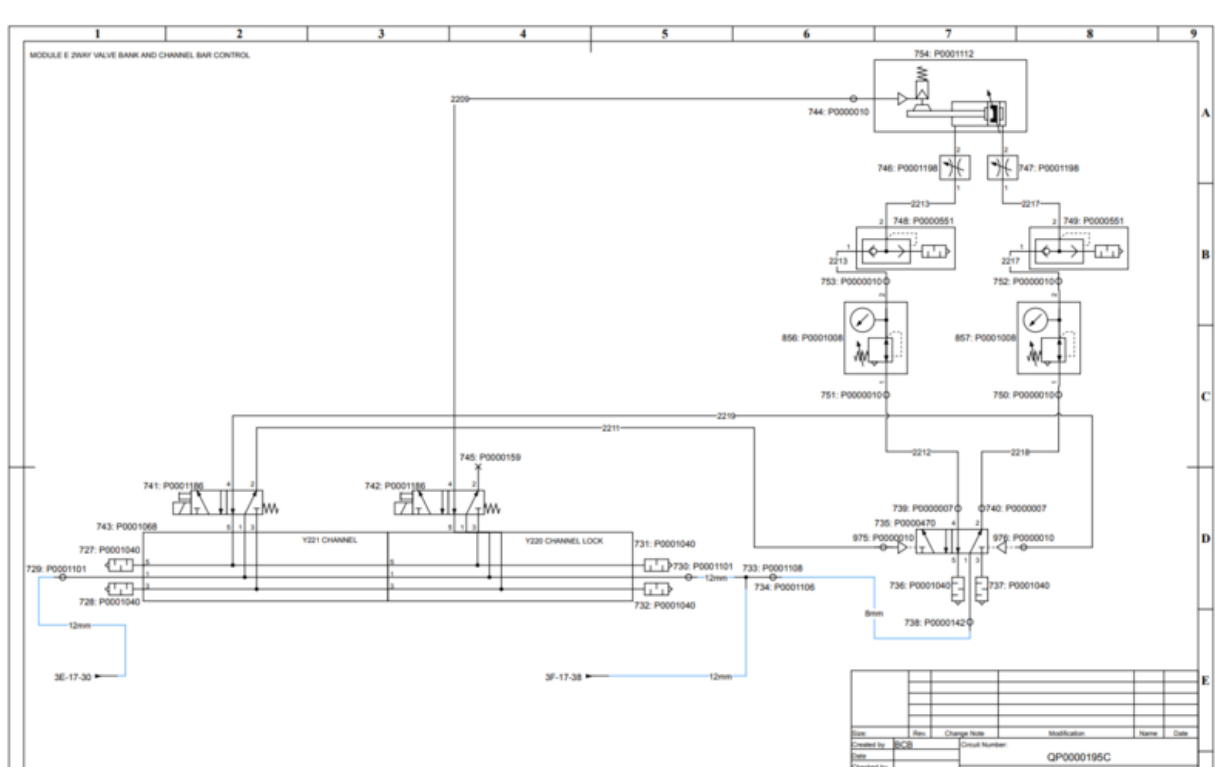


# Fichier:R0015087 Pneumatic Connections Screenshot 2023-11-06 090508.png



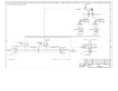
Size of this preview:800 × 497 pixels.

Original file (1,428 × 887 pixels, file size: 115 KB, MIME type: image/png)

R0015087\_Pneumatic\_Connections\_Screenshot\_2023-11-06\_090508

## File history

Click on a date/time to view the file as it appeared at that time.

	Date/Time	Thumbnail	Dimensions	User	Comment
current	<a href="#">11:07, 6 November 2023</a>		1,428 × 887 (115 KB)	Gareth Green (talk   contribs)	R0015087_Pneumatic_Connections_Screenshot_2023-11-06_090508

You cannot overwrite this file.

## File usage

The following page links to this file:

R0015087 Pneumatic Connections

## Metadata

This file contains additional information, probably added from the digital camera or scanner used to create or digitize it. If the file has been modified from its original state, some details may not fully reflect the modified file.

Horizontal resolution	37.79 dpc
Vertical resolution	37.79 dpc