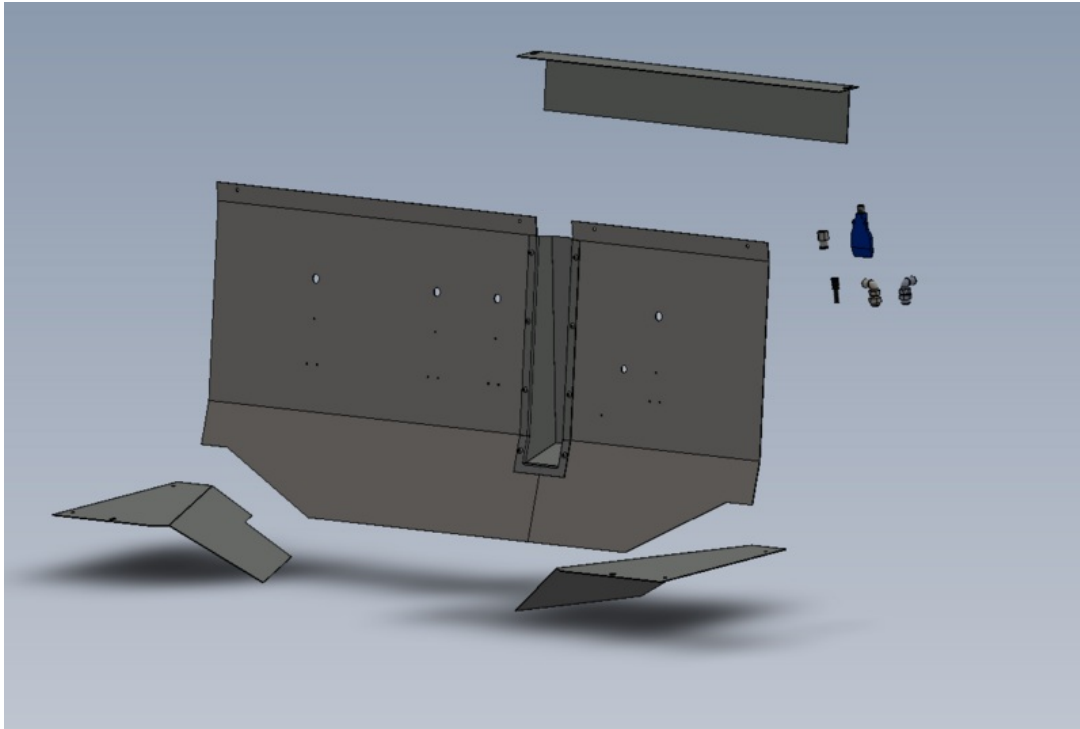


# Fichier:R0015084 Bench assemble and Drill Off Swarf chutes Screenshot 2023-10-25 080909.png



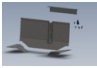
Size of this preview: 800 × 537 pixels

Original file (1,175 × 789 pixels, file size: 61 KB, MIME type: image/png)

R0015084\_Bench\_assemble\_and\_Drill\_Off\_Swarf\_chutes\_Screenshot\_2023-10-25\_080909

## File history

Click on a date/time to view the file as it appeared at that time.

	Date/Time	Thumbnail	Dimensions	User	Comment
current	09:09, 25 October 2023		1,175 × 789 (61 KB)	Gareth Green (talk   contribs)	R0015084_Bench_assemble_and_Drill_Off_Swarf_chutes_Screenshot_2023-10-25_080909

You cannot overwrite this file.

## File usage

The following page links to this file:

R0015084 Bench assemble and Drill Off Swarf chutes

## Metadata

This file contains additional information, probably added from the digital camera or scanner used to create or digitize it. If the file has been modified from its original state, some details may not fully reflect the modified file.

Horizontal resolution	37.79 dpc
Vertical resolution	37.79 dpc