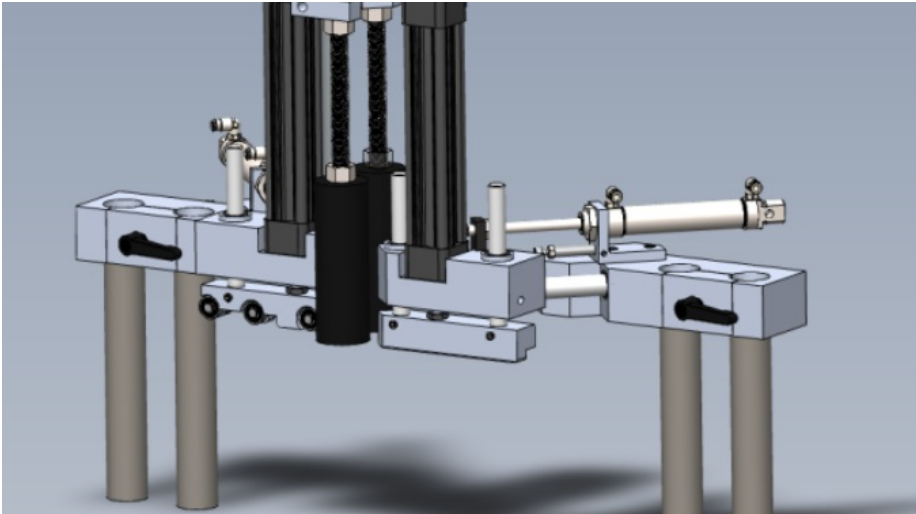


Fichier:R0015064 Bench Assemble Clamp Assembly Part 2 Screenshot 2023-11-16 111240.png




No higher resolution available.

R0015064_Bench_Assemble_Clamp_Assembly_Part_2_Screenshot_2023-11-16_111240.png (678 × 377 pixels, file size: 114 KB, MIME type: image/png)

R0015064_Bench_Assemble_Clamp_Assembly_Part_2_Screenshot_2023-11-16_111240

File history

Click on a date/time to view the file as it appeared at that time.

	Date/Time	Thumbnail	Dimensions	User	Comment
current	13:12, 16 November 2023		678 × 377 (114 KB)	Gareth Green (talk contribs)	R0015064_Bench_Assemble_Clamp_Assembly_Part_2_Screenshot_2023-11-16_111240

You cannot overwrite this file.

File usage

The following page links to this file:

R0015064 Bench Assemble Clamp Assembly Part 2

Metadata

This file contains additional information, probably added from the digital camera or scanner used to create or digitize it. If the file has been modified from its original state, some details may not fully reflect the modified file.

Horizontal resolution	37.79 dpc
Vertical resolution	37.79 dpc