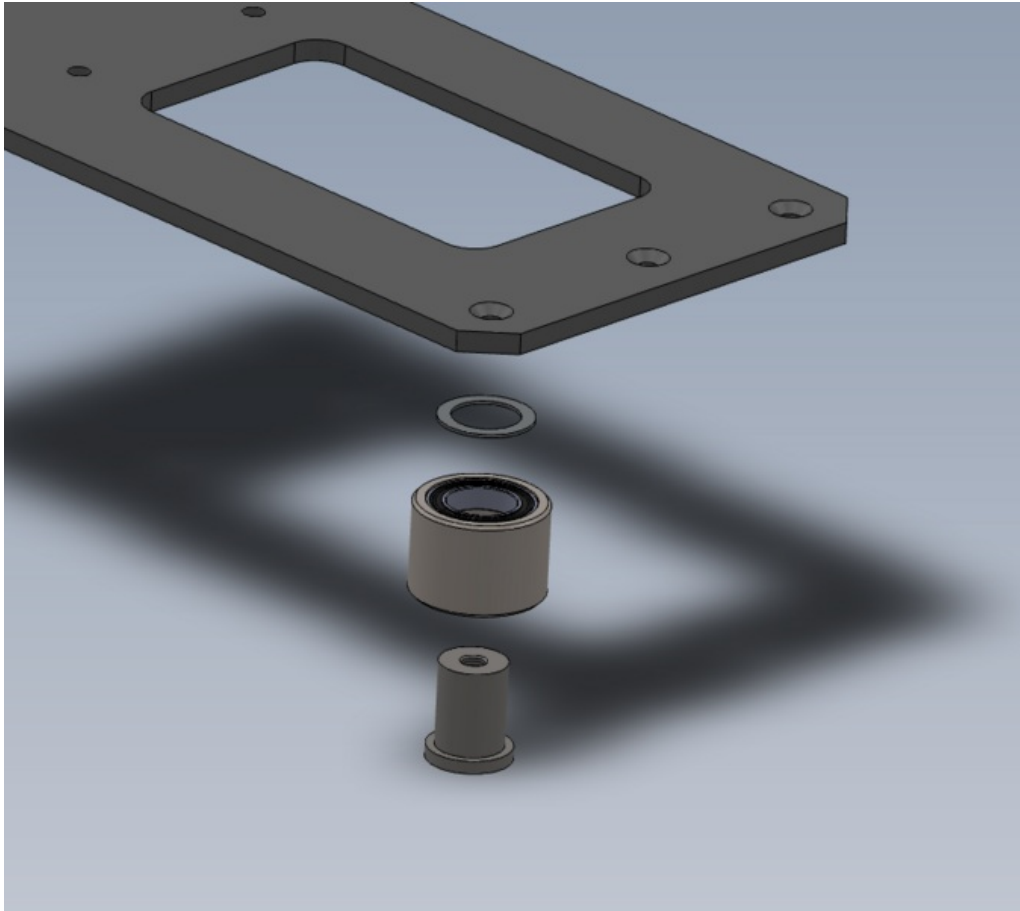


Fichier:R0015046 Bench Assemble Infeed Clamps Screenshot 2023-07-20 081537.png



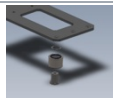
Size of this preview: 678 × 600 pixels.

Original file (831 × 735 pixels, file size: 149 KB, MIME type: image/png)

R0015046_Bench_Assemble_Infeed_Clamps_Screenshot_2023-07-20_081537

File history

Click on a date/time to view the file as it appeared at that time.

| | Date/Time | Thumbnail | Dimensions | User | Comment |
|---------|-------------------------------------|---|-----------------------|-----------------------------------|--|
| current | 09:15, 20 July 2023 |  | 831 × 735 (149 KB) | Gareth Green (talk contribs) | R0015046_Bench_Assemble_Infeed_Clamps_Screenshot_2023-07-20_081537 |

You cannot overwrite this file.

File usage

The following page links to this file:

[R0015046 Bench Assemble Infeed Clamps](#)

Metadata

This file contains additional information, probably added from the digital camera or scanner used to create or digitize it. If the file has been modified from its original state, some details may not fully reflect the modified file.

| | |
|-----------------------|-----------|
| Horizontal resolution | 37.79 dpc |
| Vertical resolution | 37.79 dpc |