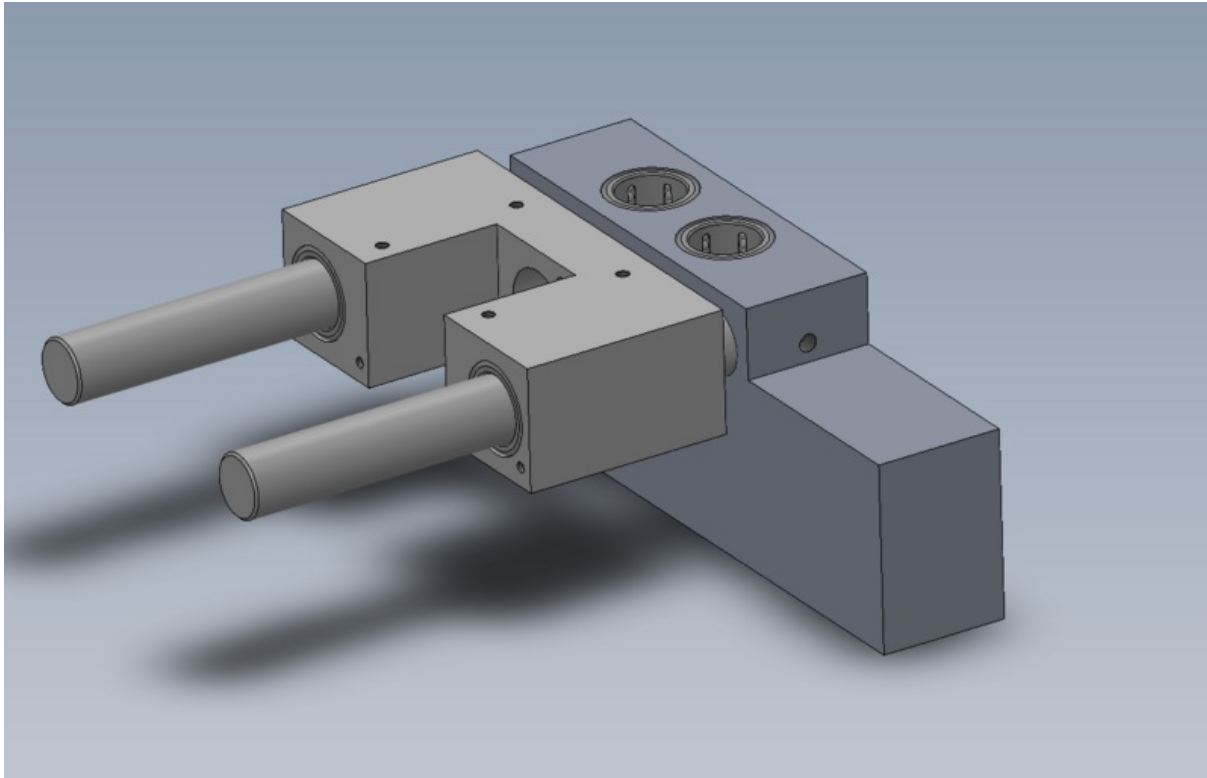


# Fichier:R0015046 Bench Assemble Infeed Clamps Screenshot 2023-07-19 151028.png



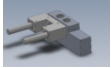
Size of this preview:800 × 513 pixels.

Original file (1,221 × 783 pixels, file size: 148 KB, MIME type: image/png)

R0015046\_Bench\_Assemble\_Infeed\_Clamps\_Screenshot\_2023-07-19\_151028

## File history

Click on a date/time to view the file as it appeared at that time.

	Date/Time	Thumbnail	Dimensions	User	Comment
current	<a href="#">16:11, 19 July 2023</a>		1,221 × 783 (148 KB)	Gareth Green (talk   contribs)	R0015046_Bench_Assemble_Infeed_Clamps_Screenshot_2023-07-19_151028

You cannot overwrite this file.

## File usage

The following page links to this file:

R0015046 Bench Assemble Infeed Clamps

## Metadata

This file contains additional information, probably added from the digital camera or scanner used to create or digitize it. If the file has been modified from its original state, some details may not fully reflect the modified file.

Horizontal resolution	37.79 dpc
Vertical resolution	37.79 dpc