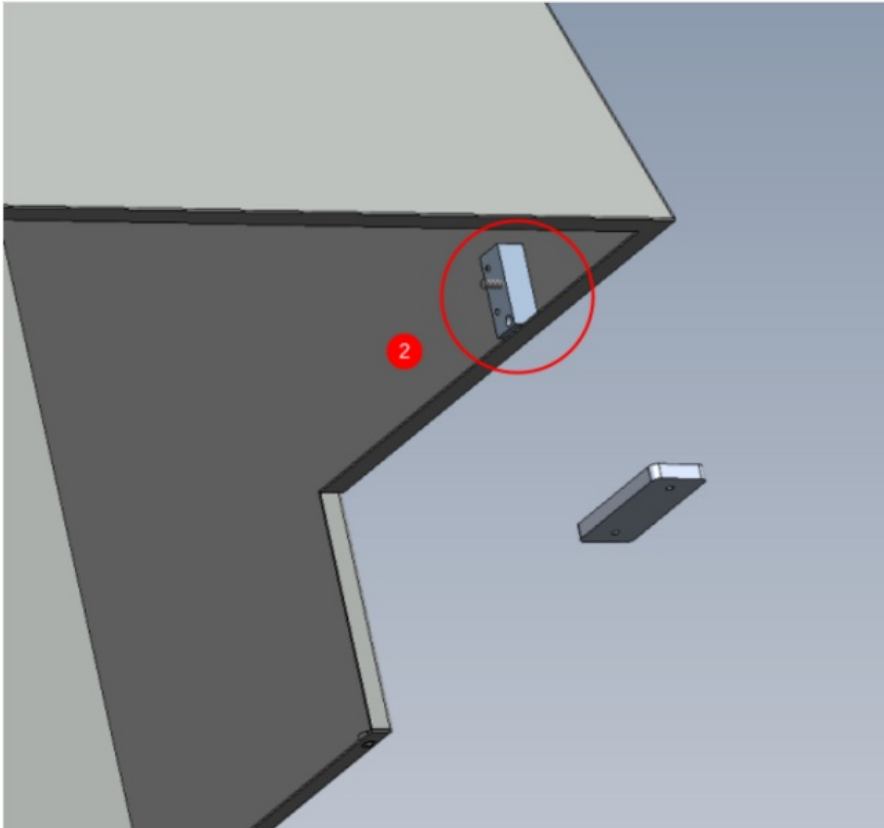


Fichier:R0015041 Bench Assemble Top Hood Assembly Part 2 Screenshot 2024-06-26 094109.png




Size of this preview: 645 × 600 pixels.

Original file (668 × 621 pixels, file size: 46 KB, MIME type: image/png)

R0015041_Bench_Assemble_Top_Hood_Assembly_Part_2_Screenshot_2024-06-26_094109

File history

Click on a date/time to view the file as it appeared at that time.

| | Date/Time | Thumbnail | Dimensions | User | Comment |
|---------|---------------------|---|----------------------|-----------------------------------|---|
| current | 10:42, 26 June 2024 |  | 668 × 621 (46 KB) | Gareth Green (talk contribs) | R0015041_Bench_Assemble_Top_Hood_Assembly_Part_2_Screenshot_2024-06-26_094109 |

You cannot overwrite this file.

File usage

The following page links to this file:

R0015041 Bench Assemble Top Hood Assembly Part 2

Metadata

This file contains additional information, probably added from the digital camera or scanner used to create or digitize it. If the file has been modified from its original state, some details may not fully reflect the modified file.

| | |
|-----------------------|-----------|
| Horizontal resolution | 37.79 dpc |
| Vertical resolution | 37.79 dpc |