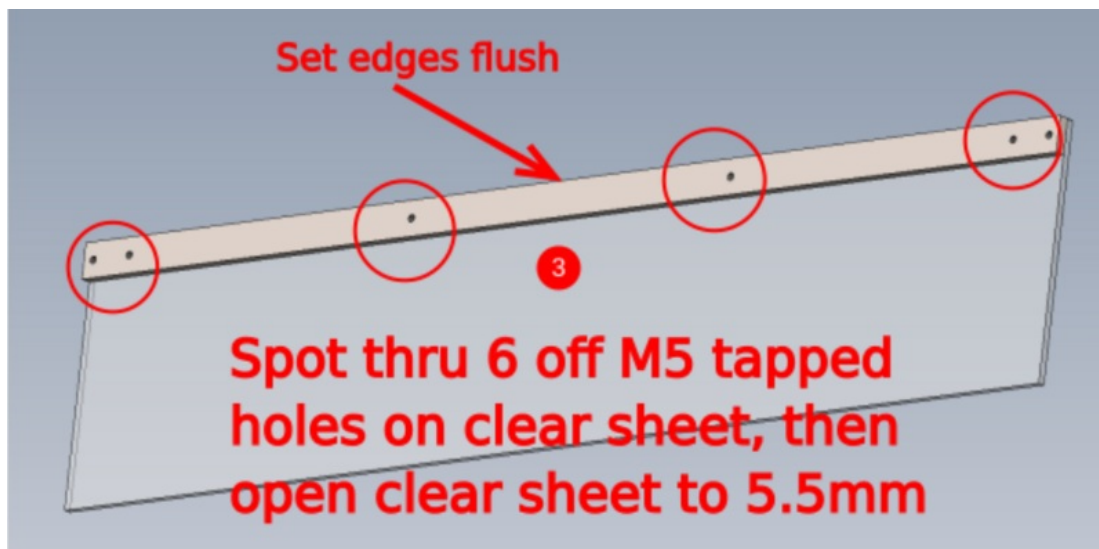


# Fichier:R0015041 Bench Assemble Top Hood Assembly Part 2 Screenshot 2024-06-26 093726.png



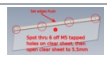
Size of this preview:800 × 396 pixels.

Original file (895 × 443 pixels, file size: 140 KB, MIME type: image/png)

R0015041\_Bench\_Assemble\_Top\_Hood\_Assembly\_Part\_2\_Screenshot\_2024-06-26\_093726

## File history

Click on a date/time to view the file as it appeared at that time.

	Date/Time	Thumbnail	Dimensions	User	Comment
current	10:38, 26 June 2024		895 × 443 (140 KB)	Gareth Green (talk   contribs)	R0015041_Bench_Assemble_Top_Hood_Assembly_Part_2_Screenshot_2024-06-26_093726

You cannot overwrite this file.

## File usage

The following page links to this file:

R0015041 Bench Assemble Top Hood Assembly Part 2

## Metadata

This file contains additional information, probably added from the digital camera or scanner used to create or digitize it. If the file has been modified from its original state, some details may not fully reflect the modified file.

Horizontal resolution	37.79 dpc
Vertical resolution	37.79 dpc