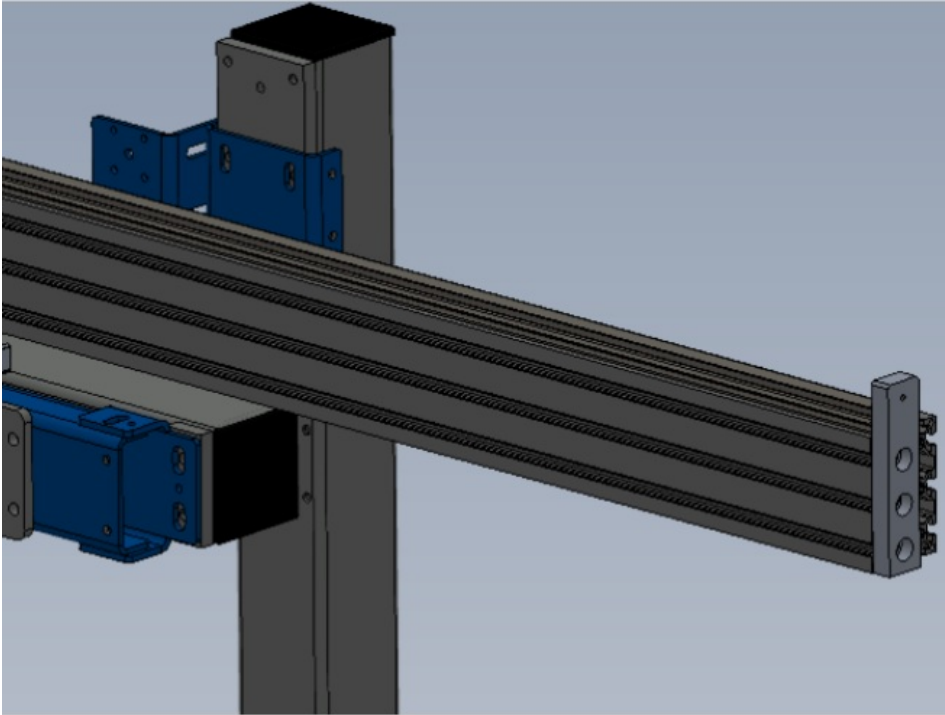


# Fichier:R0015029D Hepco Beam Alignment Part 2 Screenshot 2023-11-09 102007.png



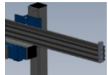
No higher resolution available.

R0015029D\_Hepco\_Beam\_Alignment\_Part\_2\_Screenshot\_2023-11-09\_102007.png (658 × 496 pixels, file size: 117 KB, MIME type: image/png)

R0015029D\_Hepco\_Beam\_Alignment\_Part\_2\_Screenshot\_2023-11-09\_102007

## File history

Click on a date/time to view the file as it appeared at that time.

	Date/Time	Thumbnail	Dimensions	User	Comment
current	12:20, 9 November 2023		658 × 496 (117 KB)	Gareth Green (talk   contribs)	R0015029D_Hepco_Beam_Alignment_Part_2_Screenshot_2023-11-09_102007

You cannot overwrite this file.

## File usage

The following page links to this file:

R0015029D Hepco Beam Alignment Part 2

## Metadata

This file contains additional information, probably added from the digital camera or scanner used to create or digitize it. If the file has been modified from its original state, some details may not fully reflect the modified file.

Horizontal resolution	37.79 dpc
Vertical resolution	37.79 dpc