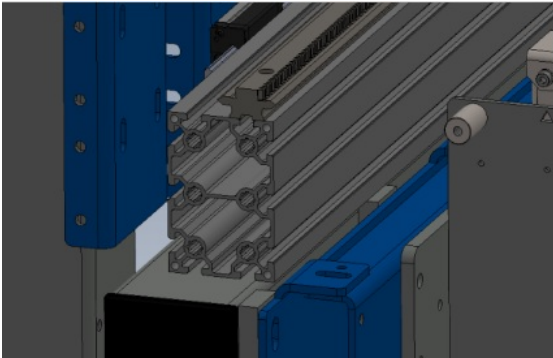


Fichier:R0015028D ZX5 Hepco Beam Alignment Module C part 2 Screenshot 2023-11-10 141036.png




No higher resolution available.

R0015028D_ZX5_Hepco_Beam_Alignment_Module_C_part_2_Screenshot_2023-11-10_141036.png (426 × 274 pixels, file size: 67 KB, MIME type: image/png)

R0015028D_ZX5_Hepco_Beam_Alignment_Module_C_part_2_Screenshot_2023-11-10_141036

File history

Click on a date/time to view the file as it appeared at that time.

	Date/Time	Thumbnail	Dimensions	User	Comment
current	16:10, 10 November 2023		426 × 274 (67 KB)	Gareth Green (talk contribs)	R0015028D_ZX5_Hepco_Beam_Alignment_Module_C_part_2_Screenshot_2023-11-10_141036

You cannot overwrite this file.

File usage

The following page links to this file:

[R0015028D ZX5 Hepco Beam Alignment Module C part 2](#)

Metadata

This file contains additional information, probably added from the digital camera or scanner used to create or digitize it. If the file has been modified from its original state, some details may not fully reflect the modified file.

Horizontal resolution	37.79 dpc
Vertical resolution	37.79 dpc