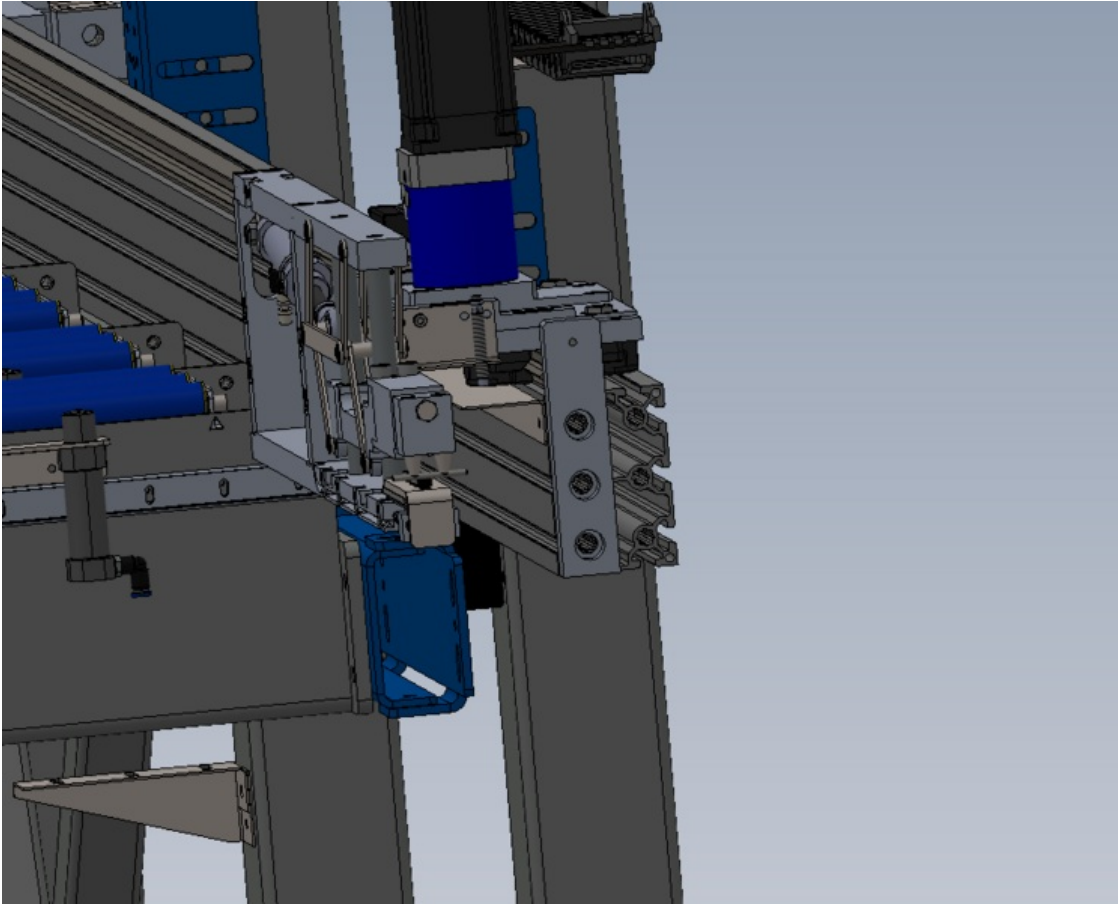


Fichier:R0015028D Fit X axis gearbox and Motor Screenshot 2023-06-14 122332.png



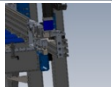
Size of this preview: 748 × 600 pixels.

Original file (917 × 735 pixels, file size: 101 KB, MIME type: image/png)

R0015028D_Fit_X_axis_gearbox_and_Motor_Screenshot_2023-06-14_122332

File history

Click on a date/time to view the file as it appeared at that time.

	Date/Time	Thumbnail	Dimensions	User	Comment
current	13:24, 14 June 2023		917 × 735 (101 KB)	Gareth Green (talk contribs)	R0015028D_Fit_X_axis_gearbox_and_Motor_Screenshot_2023-06-14_122332

You cannot overwrite this file.

File usage

The following page links to this file:

[R0015247 Fit X axis gearbox and Motor](#)

Metadata

This file contains additional information, probably added from the digital camera or scanner used to create or digitize it. If the file has been modified from its original state, some details may not fully reflect the modified file.

Horizontal resolution	37.79 dpc
Vertical resolution	37.79 dpc