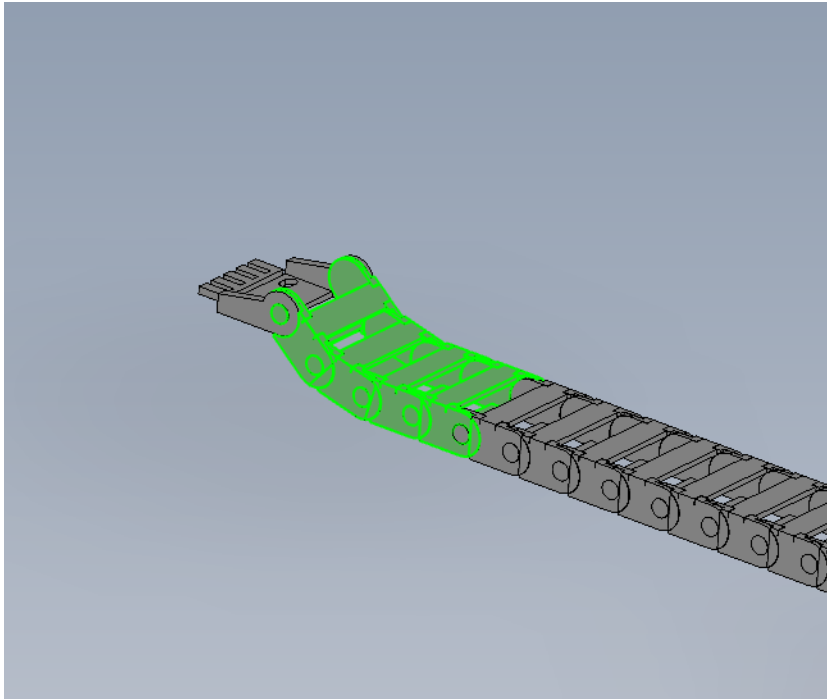


# Fichier:R0015028D Bench Assemble X Axis components and Energy chain Screenshot 2023-06-12 124134.png



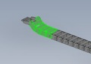
No higher resolution available.

R0015028D\_Bench\_Assemble\_X\_Axis\_components\_and\_Energy\_chain\_Screenshot\_2023-06-12\_124134.png (648 × 545 pixels, file size: 25 KB, MIME type: image/png)

R0015028D\_Bench\_Assemble\_X\_Axis\_components\_and\_Energy\_chain\_Screenshot\_2023-06-12\_124134

## File history

Click on a date/time to view the file as it appeared at that time.

	Date/Time	Thumbnail	Dimensions	User	Comment
current	13:44, 12 June 2023		648 × 545 (25 KB)	Gareth Green (talk   contribs)	R0015028D_Bench_Assemble_X_Axis_components_and_Energy_chain_Screenshot_2023-06-12_124134

You cannot overwrite this file.

## File usage

The following 2 pages link to this file:

R0015251 Bench Assemble X Axis components and Energy chain

R0015286 Bench Assemble X axis Components and Energy Chain

## Metadata

This file contains additional information, probably added from the digital camera or scanner used to create or digitize it. If the file has been modified from its original state, some details may not fully reflect the modified file.

Horizontal resolution	37.79 dpc
Vertical resolution	37.79 dpc