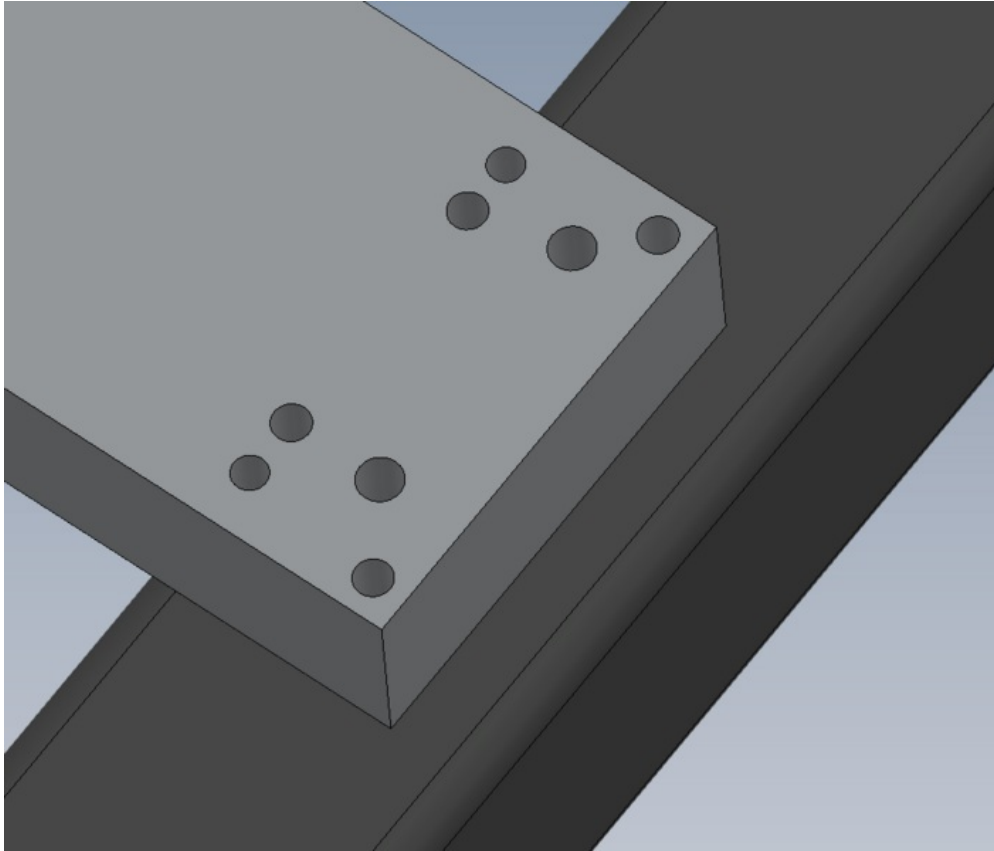


Fichier:R0002913E Install and Align Rotary head Subframe Screenshot 2023-07-28 092139.png



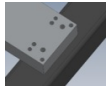
Size of this preview: 705 × 599 pixels.

Original file (927 × 788 pixels, file size: 48 KB, MIME type: image/png)

R0002913E_Install_and_Align_Rotary_head_Subframe_Screenshot_2023-07-28_092139

File history

Click on a date/time to view the file as it appeared at that time.

	Date/Time	Thumbnail	Dimensions	User	Comment
current	10:21, 28 July 2023		927 × 788 (48 KB)	Gareth Green (talk contribs)	R0002913E_Install_and_Align_Rotary_head_Subframe_Screenshot_2023-07-28_092139

You cannot overwrite this file.

File usage

There are no pages that link to this file.

Metadata

This file contains additional information, probably added from the digital camera or scanner used to create or digitize it. If the file has been modified from its original state, some details may not fully reflect the modified file.

Horizontal resolution	37.79 dpc
Vertical resolution	37.79 dpc