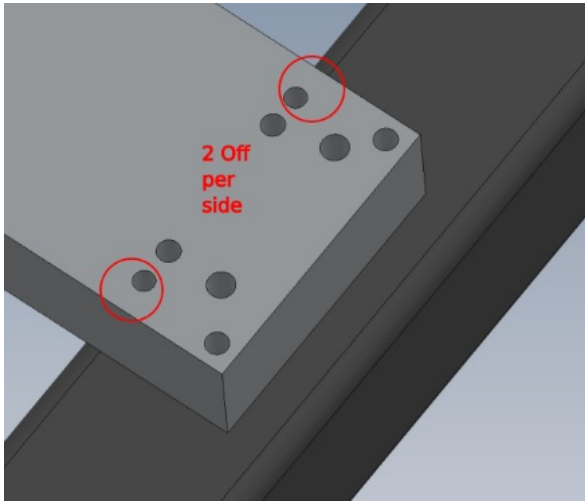


# Fichier:R0002913E Install and Align Rotary head Subframe PART 2 Screenshot 2023-07-28 105243.png

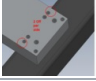


No higher resolution available.

R0002913E\_Install\_and\_Align\_Rotary\_head\_Subframe\_PART\_2\_Screenshot\_2023-07-28\_105243.png (447 × 370 pixels, file size: 43 KB, MIME type: image/png)  
R0002913E\_Install\_and\_Align\_Rotary\_head\_Subframe\_PART\_2\_Screenshot\_2023-07-28\_105243

## File history

Click on a date/time to view the file as it appeared at that time.

	Date/Time	Thumbnail	Dimensions	User	Comment
current	10:52, 28 July 2023		447 × 370 (43 KB)	Gareth Green (talk   contribs)	R0002913E_Install_and_Align_Rotary_head_Subframe_PART_2_Screenshot_2023-07-28_105243

You cannot overwrite this file.

## File usage

The following page links to this file:

R0002913E Install and Align Rotary head Subframe PART 2

## Metadata

This file contains additional information, probably added from the digital camera or scanner used to create or digitize it. If the file has been modified from its original state, some details may not fully reflect the modified file.

Horizontal resolution	37.79 dpc
Vertical resolution	37.79 dpc