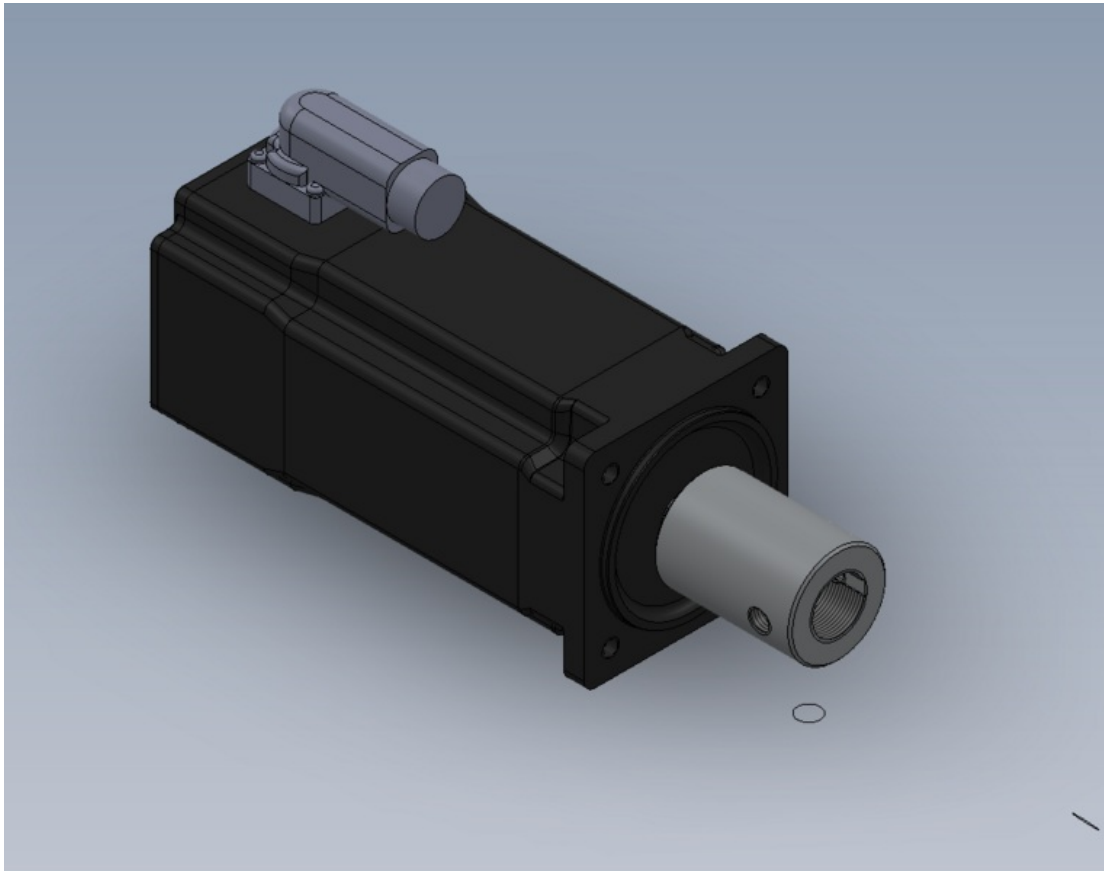


Fichier:R0000962E Bench assemble Y axis Components Screenshot 2023-07-18 094611.png



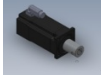
Size of this preview: 765 × 599 pixels.

Original file (993 × 778 pixels, file size: 159 KB, MIME type: image/png)

R0000962E_Bench_assemble_Y_axis_Components_Screenshot_2023-07-18_094611

File history

Click on a date/time to view the file as it appeared at that time.

	Date/Time	Thumbnail	Dimensions	User	Comment
current	10:47, 18 July 2023		993 × 778 (159 KB)	Gareth Green (talk contribs)	R0000962E_Bench_assemble_Y_axis_Components_Screenshot_2023-07-18_094611

You cannot overwrite this file.

File usage

The following 2 pages link to this file:

R0000962E Bench assemble Y axis Components

R0000963E Bench Assemble Z axis Components

Metadata

This file contains additional information, probably added from the digital camera or scanner used to create or digitize it. If the file has been modified from its original state, some details may not fully reflect the modified file.

Horizontal resolution	37.79 dpc
Vertical resolution	37.79 dpc