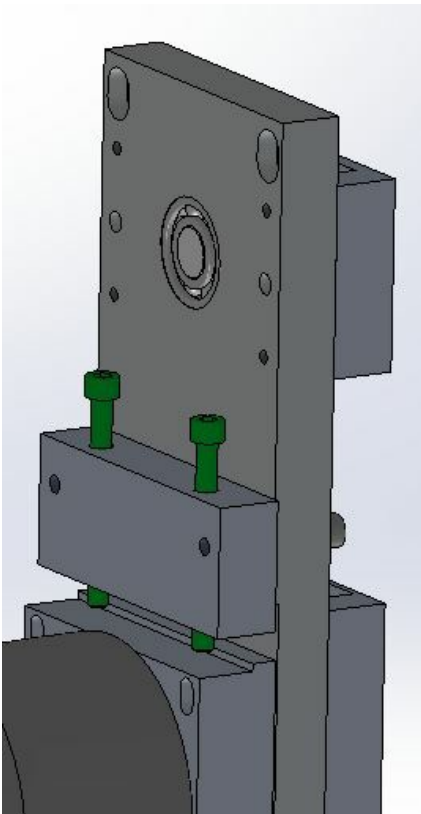


# Fichier:Maintenance - Tensioning for R Axis on ZX3 2.JPG




No higher resolution available.

Maintenance\_-\_Tensioning\_for\_R\_Axis\_on\_ZX3\_2.JPG (269 × 514 pixels, file size: 22 KB, MIME type: image/jpeg)

Maintenance\_-\_Tensioning\_for\_R\_Axis\_on\_ZX3\_2

## File history

Click on a date/time to view the file as it appeared at that time.

	Date/Time	Thumbnail	Dimensions	User	Comment
current	13:16, 16 September 2021		269 × 514 (22 KB)	Gareth Green (talk   contribs)	Maintenance_-_Tensioning_for_R_Axis_on_ZX3_2

You cannot overwrite this file.

## File usage

The following page links to this file:

Maintenance - Tensioning for R Axis on ZX3

## Metadata

This file contains additional information, probably added from the digital camera or scanner used to create or digitize it. If the file has been modified from its original state, some details may not fully reflect the modified file.

Author	Max Hamlet
Date and time of data generation	12:16, 16 September 2021
Date and time of digitizing	12:16, 16 September 2021
DateTimeOriginal subseconds	43
DateTimeDigitized subseconds	43

