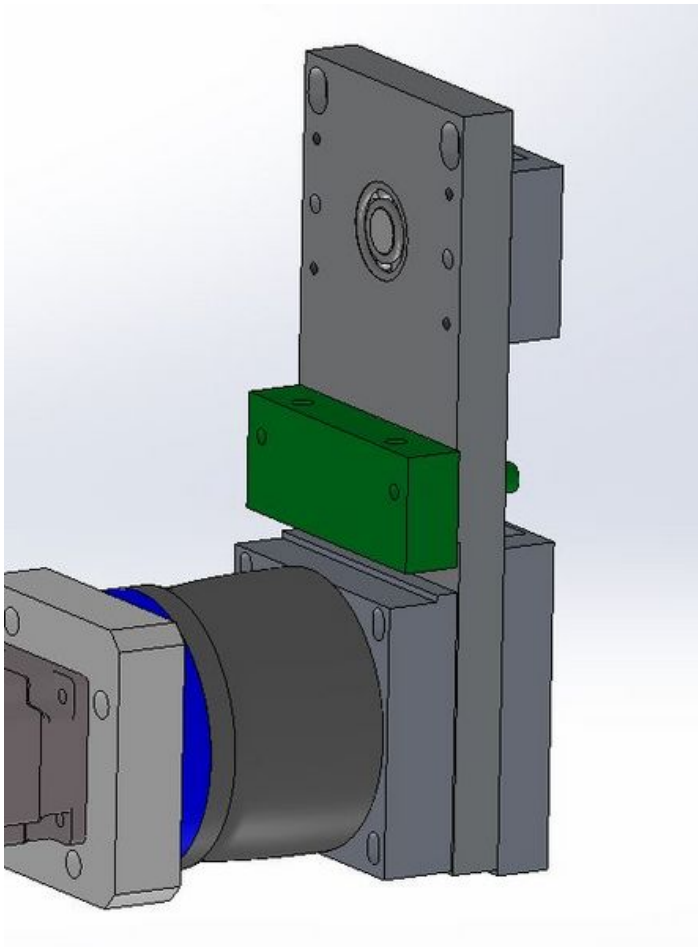


# Fichier:Maintenance - Tensioning for R Axis on ZX3 1.JPG



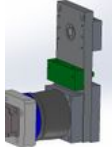
Size of this preview: 443 × 599 pixels.

Original file (500 × 676 pixels, file size: 34 KB, MIME type: image/jpeg)

Maintenance\_-\_Tensioning\_for\_R\_Axis\_on\_ZX3\_1

## File history

Click on a date/time to view the file as it appeared at that time.

	Date/Time	Thumbnail	Dimensions	User	Comment
current	13:15, 16 September 2021		500 × 676 (34 KB)	Gareth Green (talk   contribs)	Maintenance_-_Tensioning_for_R_Axis_on_ZX3_1

You cannot overwrite this file.

## File usage

The following page links to this file:

Maintenance - Tensioning for R Axis on ZX3

## Metadata

This file contains additional information, probably added from the digital camera or scanner used to create or digitize it. If the file has been modified from its original state, some details may not fully reflect the modified file.

Author	Max Hamlet
Date and time of data generation	12:14, 16 September 2021
Date and time of digitizing	12:14, 16 September 2021

---

DateTimeOriginal subseconds	38
DateTimeDigitized subseconds	38