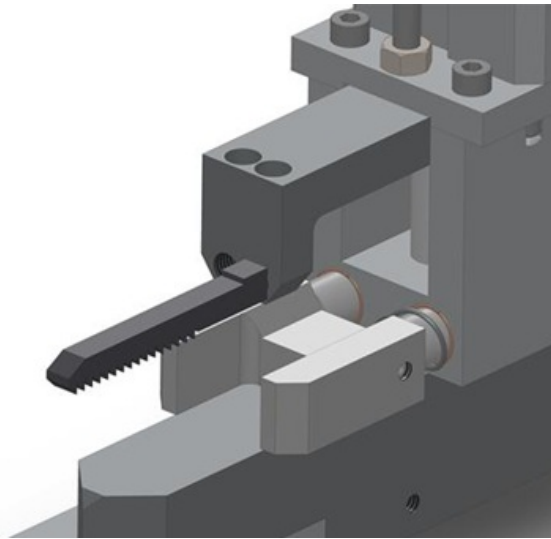


Fichier:Gripper Insert Fitment.png

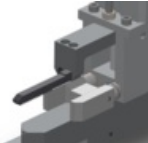


No higher resolution available.

Gripper_Insert_Fitment.png (451 × 338 pixels, file size: 69 KB, MIME type: image/png)

File history

Click on a date/time to view the file as it appeared at that time.

	Date/Time	Thumbnail	Dimensions	User	Comment
current	11:10, 21 February 2020		451 × 338 (69 KB)	Gareth Green (talk contribs)	

You cannot overwrite this file.

File usage

The following 3 pages link to this file:

Gripper Mechanical Setup - Flowline, Microline, ZX3 or ZX4

Mk10 Gripper Setup

TB0299 Gripper Insert Fitment